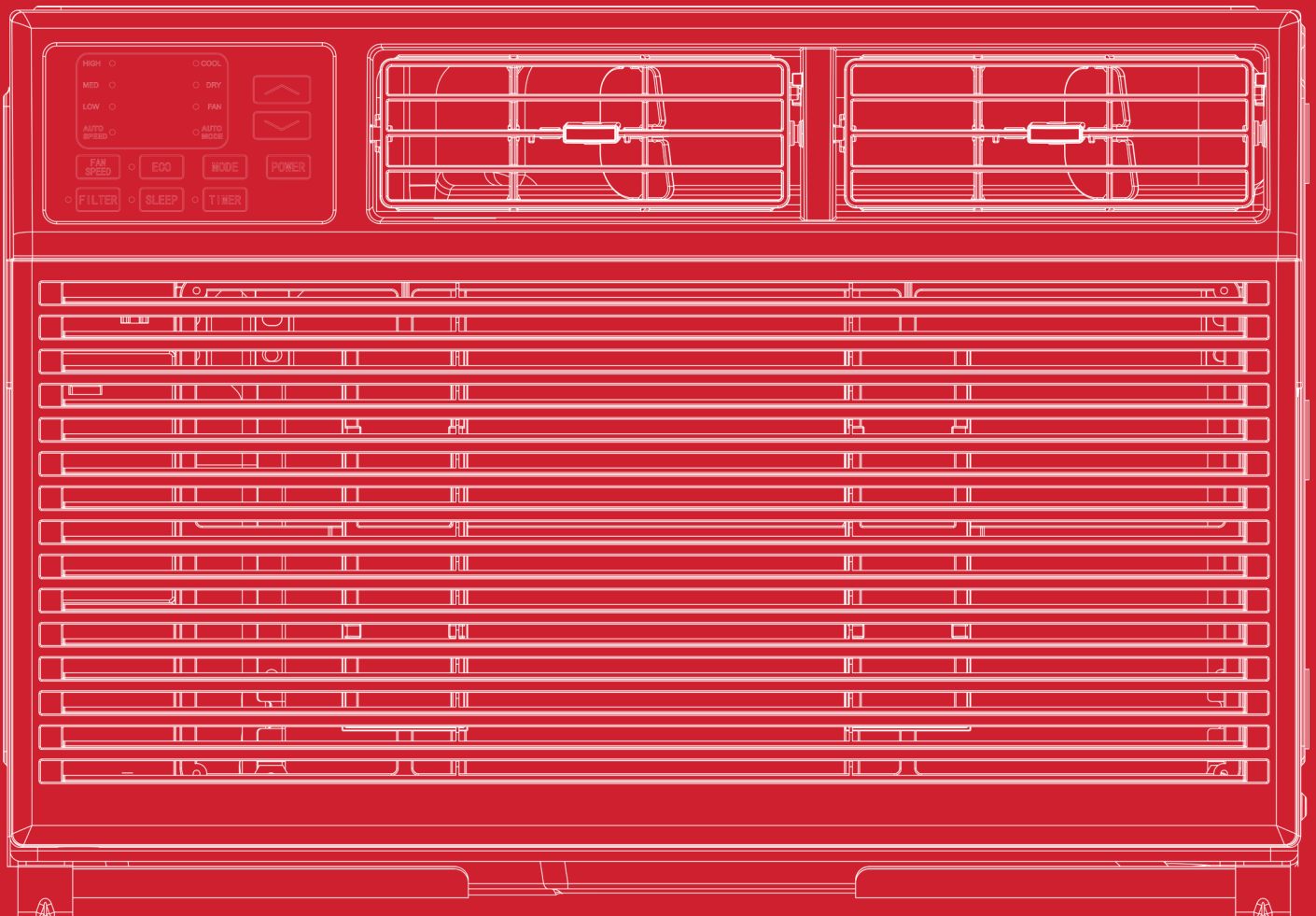


# TCL

## Hi! Let's Get Started.



15K-24K UM Window AC  
English / Spanish / French

# Table of Contents

## English

Register and Protect Your Purchase .....	3
Important Safety Instructions .....	4
What's in the Box .....	7
Let's Get Started! .....	8
Assembly and Installation .....	10
How to Control Your AC.....	14
Troubleshooting .....	16
WiFi App Installation (WiFi Models Only) .....	17
Warranty Information.....	20

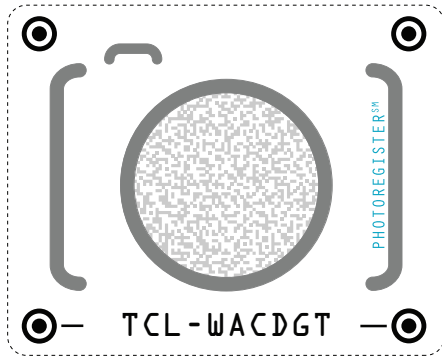
## Spanish

Registre y proteja su compra.....	22
Instrucciones Importantes De Seguridad.....	23
Contenidos de la Caja .....	26
¡Comencemos!.....	27
Montaje e instalación.....	29
Cómo Manejar su Aire Acondicionado.....	33
Solución de Problemas.....	35
Instrucciones de la aplicación WiFi (Solo modelos con WiFi).....	36
Información de garantía .....	39

## French

Enregistrez et protégez votre achat .....	41
Consignes De Sécurité Importantes.....	42
Contenu de la boîte.....	45
C'est parti!.....	46
Assemblage et installation .....	48
Comment régler votre climatiseur .....	52
Conseils de dépannage .....	54
Installation de l'application WiFi (Modèles WiFi seulement) .....	55
Informations de garantie.....	58

# Register and protect your purchase



## Register easily with your smartphone

Scan or text a photo of the camera icon to 71403

Or register online at [register.tcl.com](http://register.tcl.com)

**Need help?** Visit [photoregister.com/help](http://photoregister.com/help) or text HELP to 71403

## Add a TCL Protection Plan when you register your product and be covered from life's mishaps

Thank you for choosing TCL. We want your ownership experience to bring you as much joy as the product you purchased does, so we're offering you a special price on TCL Protection Plans when you purchase during registration. Add a TCL Protection Plan within your first 30 days of ownership to receive the best value and we'll make sure nothing gets in the way of you enjoying your new product.

### Benefits & Description

	PROTECT	PLUS
<b>Extended Manufacturer Coverage</b> Extended parts & labor coverage for manufacturer defects.	Up To 4 Years	Up To 4 Years
<b>Priority Service</b> Free shipping and rapid turn-around time.	3-5 Days	3-5 Days
<b>Product Replacement</b> Free 1-time replacement if product cannot be fixed.	+	+
<b>TCL Parts &amp; Service</b> Genuine TCL parts & factory certified service.	+	+
<b>No Deductible</b> \$0 out of pocket expense.	+	+
<b>Accidental Damage Protection</b> Coverage for drops, breaks and spills starts after 30 days.		+

\*Extended service plans (i.e., "Protect" and "Plus" plans) are only offered in the United States (US). All TCL products continue to offer a limited consumer warranty in both the US and Canada. Please refer to the warranty section in this guide for additional details on warranty information.

### IMPORTANT SAFETY INSTRUCTIONS

Before installing and using your air conditioner, please read this owner's manual carefully. Store this manual in a safe place for future reference. Your safety and the safety of others is very important to us. Please pay attention to all safety messages outlined in this owner's manual.

**WARNING:** To reduce the risk of fire, electrical shock or injury when using your air conditioner, follow the following basic precautions:

#### ELECTRICAL REQUIREMENTS

The electrical ratings for your air conditioner are listed on the model and serial number label located on the front right side of the unit (when facing the front).

#### REGISTER YOUR APPLIANCE

You can register your appliance online by going to [register.tcl.com](http://register.tcl.com)

Be sure to retain your original sales receipt. A valid proof of purchase is required for all warranty claims.

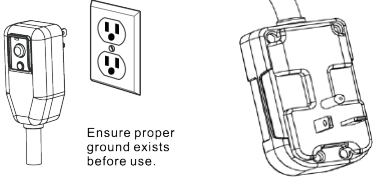
#### BATTERY WARNING STATEMENT

Do not mix old and new batteries and do not mix alkaline, standard (carbon-zinc) or rechargeable (ni-cad, ni-mh, etc.) batteries

Document your model and serial numbers here:

Model # \_\_\_\_\_ Serial # \_\_\_\_\_

You can locate your 20 digit serial number underneath the bar code (right hand side of the AC).

WARNING	
Specific electrical requirements are shown in the diagram below. Follow the requirements below for the type of plug on the power supply cord.	
<b>Electrical Shock Hazard</b> Plug into a grounded 3 prong outlet. Do not remove the ground prong. Do not use an adapter Do not use an extension cord. Failure to follow these instructions can result in death, fire, or electrical shock	<b>Wiring Requirements</b> <ul style="list-style-type: none"><li>• (15K) 115 Volts (103 min – 127 max)</li><li>• (18K – 24K) 230 Volts (187 min – 253 max)</li><li>• (15K) 0-11 amps (18K) 7.1 amps (24K) 11.0 amps</li><li>• (15K) 3.15 amp time-delay fuse or circuit breaker</li><li>• (18K-24K) 3.15 amp time-delay fuse or circuit breaker</li><li>• Use on single outlet circuit only on all sizes</li></ul>
	<b>Power Supply Cord</b>  15K BTU 115 Volt 18K – 24K BTU 208/230 Volt

#### RECOMMENDED GROUND METHOD

For your personal safety, this air conditioner must be grounded. This air conditioner is equipped with a 3 prong power supply cord with a grounded plug. To minimize the possibility of electrical shock, the cord must be plugged into a 3 prong outlet and grounded in accordance with all local codes and ordinances. If a 3 prong outlet is not available, it is the customer's responsibility to have a properly grounded 3 prong outlet installed by a qualified electrician.

#### FCC CAUTION

This device complies with part 15 of the FCC Rules. Operation is subject to the following two conditions: (1) This device may not cause harmful interference, and (2) this device must accept any interference received, including interference that may cause undesired operation. Any Changes or modifications not expressly approved by the party responsible for compliance could void the user's authority to operate the equipment.

**Note:** This equipment has been tested and found to comply with the limits for a Class B digital device, pursuant to part 15 of the FCC Rules. These limits are designed to provide reasonable protection against harmful interference in a residential installation. This equipment generates uses and can radiate radio frequency energy and, if not installed and used in accordance with the instructions, may cause harmful interference to radio communications. However, there is no guarantee that interference will not occur in a particular installation. If this equipment does cause harmful interference to radio or television reception, which can be determined by turning the equipment off and on, the user is encouraged to try to correct the interference by one or more of the following measures:

-Reorient or relocate the receiving antenna.

-Increase the separation between the equipment and receiver.

**DO NOT RETURN TO STORE**

**WE ARE  
READY TO  
HELP** contact us first  
with any questions



TCL SUPPORT:  
[support.tcl.com/us](http://support.tcl.com/us)  
1-800-825-6747



**BE CAREFUL WHEN REMOVING  
THE AIR CONDITIONING UNIT**

# INSTALLATION MANUAL---Important considerations

When compared with other refrigerants, R32 is more environmentally friendly. Please use this product as instructed. This refrigerant is flammable and may combust under certain conditions, however when this product is used as directed these risks are significantly reduced. Always consult with a trained professional when maintaining or repairing an air conditioner.

## Warning

- Please read the manual before installing, using, or conducting maintenance.
- Do not use means to accelerate the defrosting process or to clean, other than those recommended by the manufacturer.
- Be aware that refrigerants may not contain an odor.
- Do not pierce or burn the appliance.
- The appliance shall be stored in a room without continuously operating sources (for example: open flames, an operating ignition gas appliance or an operating electric heater).
- Please contact the nearest after-sale service center when maintenance is necessary. At the time of maintenance, the maintenance personnel must strictly comply with the Operation
- Manual provided by the corresponding manufacturer and any non-professional is prohibited to maintain the air conditioner.
- It is necessary to comply with the provisions of gas-related federal, state, and local laws and regulations.
- It is necessary to clear away the refrigerant in the system when maintaining or recycling an air conditioner by a trained professional.



Warning: flammable  
& Dangerous



Read the user manual



Read the installation  
manual



Read the  
service manual

## Important Considerations

- **The air conditioner you buy must be installed by professional personnel** and the "Installation manual" is used only for the professional installation personnel!
- The installation specifications should be subject to our after-sale service regulations.
- When filling the flammable refrigerant, please use caution to avoid serious injury.
- A leak test must be done after the installation is completed.
- It is a must to perform the safety inspection before maintaining or repairing an air conditioner using flammable refrigerant in order to ensure that the fire risk is reduced to a minimum.
- Requirements for the total weight of filled refrigerant and the area of a room to be equipped with an air conditioner (are shown as in the following Tables GG.1 and GG.2)



## The maximum charge and the required minimum floor area

$m_1 = (4 \text{ m}^3) \times \text{LFL}$  ,  $m_2 = (26 \text{ m}^3) \times \text{LFL}$  ,  $m_3 = (130 \text{ m}^3) \times \text{LFL}$

Where LFL is the lower flammable limit in kg/ m<sup>3</sup>, R290 LFL is 0.038 kg/ m<sup>3</sup>, R32 LFL is 0.038 kg/ m<sup>3</sup>.

### For the appliances with a charge amount $m_1 < M = m_2$ :

The maximum charge in a room shall be in accordance with the following:  $m_{\text{max}} = 2.5 \times (\text{LFL})^{(5/4)} \times h_0 \times (A)^{1/2}$

The required minimum floor area  $A_{\text{min}}$  to install an appliance with refrigerant charge  $M$  (kg) shall be in accordance with following:  $A_{\text{min}} = (M / (2.5 \times (\text{LFL})^{(5/4)} \times h_0)) ^2$

Where:

$m_{\text{max}}$  is the allowable maximum charge in a room, in kg;

$M$  is the refrigerant charge amount in appliance, in kg;

$A_{\text{min}}$  is the required minimum room area, in m<sup>2</sup>;

$A$  is the room area, in m<sup>2</sup>;

LFL is the lower flammable limit, in kg/m<sup>3</sup>;

$h_0$  is the installation height of the appliance, in meters for calculating  $m_{\text{max}}$  or  $A_{\text{min}}$ , 1.8 m for wall mounted;

**Table GG.1 - Maximum charge (kg)**

Category	LFL (kg/m <sub>3</sub> )	h <sub>0</sub> (m)	Floor area (m <sub>2</sub> )						
			4	7	10	15	20	30	50
R32	0,306	0,6	0,68	0,9	1,08	0,32	1,53	1,87	2,41
		1	1,14	1,51	1,8	2,2	2,54	3,12	4,02
		1,8	2,05	2,71	3,24	3,97	4,58	5,61	7,254
		2,2	2,5	3,31	3,96	4,85	5,6	6,86	8,85

**Table GG.2 - Minimum room area (m2)**

Category	LFL (kg/m <sub>3</sub> )	h <sub>0</sub> (m)	Charge amount (M) (kg) Minimum room area (m2)						
			1,224 kg	1,836 kg	2,448 kg	3,672 kg	4,896 kg	6,12 kg	7,956 kg
R32	0,306	0,6		29	51	116	206	321	543
		1		10	19	42	74	116	196
		1,8		3	6	13	23	36	60
		2,2		2	4	0	15	24	40

## Installation Safety Principles

### 1. Site Safety

Open Flames Prohibited



Ventilation Necessary



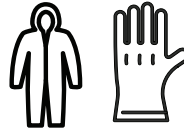
### 2. Operation Safety

Mind Static Electricity



Open Flames Prohibited

Must wear protective clothing and anti-static gloves



Don't use mobile phone



### 3. Installation Safety

- Refrigerant Leak Detector
- Appropriate Installation Location


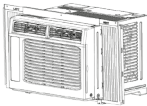



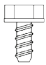





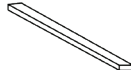







The left picture is the schematic diagram of a refrigerant leak detector.

#### Please note that:

1. The installation site should be in a well-ventilated area.
2. The sites for installing and maintaining an air conditioner using Refrigerant R32 should be free from open fire or welding, smoking, drying oven or any other heat source higher than 548°C which easily produces open fire.
3. When installing an air conditioner, it is necessary to take appropriate anti-static measures such as wear anti-static clothing and/or gloves.
4. Installation or maintenance location should not be surrounded by obstacles or close to any heat source, flammable, and/or explosive areas or objects.
5. If the product suers refrigerant leak during the installation, all personnel should go out till the refrigerant leaks completely for 15 minutes. If the product is damaged, a professional must carry such damages product back to the maintenance station. It is prohibited to weld the refrigerant pipe or conduct other operations on the contaminated site.
6. The air conditioner unit needs to sit on a flat even surface.
7. It is necessary to avoid the places where there are other electrical products, power switch plugs and sockets, kitchen cabinet, bed, sofa and other valuables directly under the lines on two sides of the indoor unit.
8. Any ventilation openings of unit should be free from obstructions.

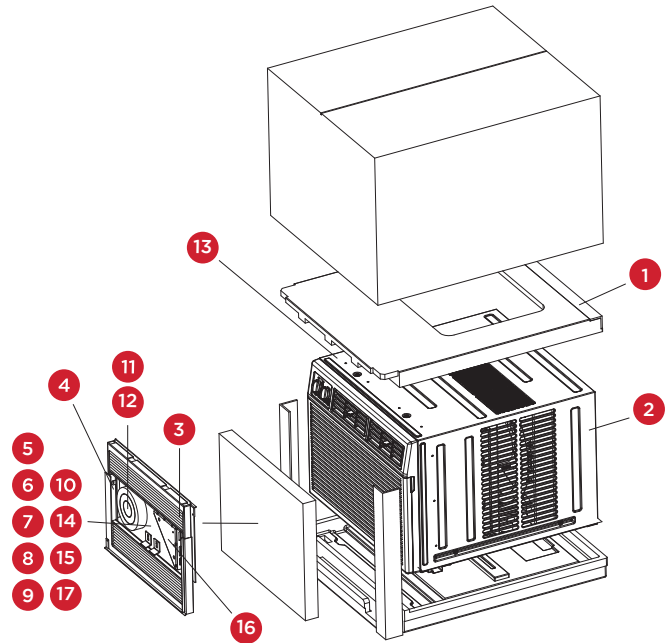
## What's in the Box

NO.	APPEARANCE	PART NAME	QUANTITY
1		Top Rail	1
2		AC Unit	1
3		Filler Panels (Labeled "Left" & "Right")	2
4		Remote Control	1
5		Sash Lock	2
6		5/16" Long Hex-head Screw	4
7		5/8" Long Hex-head Screw	3
8		1/2" Long Hex-head Screw	4
9		5/8" Long Flat Head Bolt and Locknut	1
10		Sill Angle Bracket	1
11		Window Sash Seal	1
12		Foam Top Window Gasket (Thin sponge material)	1
13		Foam Insulation	2
14		1/2" Long Flat Head Bolt and Locknut	4
15		Gasket	2
16		Support Bracket (Labeled "Left" & "Right")	2
17		Battery (AAA)	2

**Tools needed:** Phillips Screw Driver

**Note:** Illustrations in this manual are for explanatory purposes only. Product design and aesthetics may vary.

**Tip!** Before unboxing, cut the tape along the top of the box to loosen contents inside. Once you lift and remove the box, check the inside of the box as some parts may be stuck at the top. You can find the screws and other parts located in the tray beneath the AC unit.



## Let's Get Started!

### Step 1: Testing

Before installing your AC, let's test it to make sure it works properly and your outlet has the proper power level. First, place it on a flat surface, plug it directly into a wall outlet (never use a power strip or other device), and turn it on. Next, put the mode to cool and change the temperature setting to the max cool setting. After 3 minutes, the AC should be blowing cool air. If so, please continue on to the next step. If not, see detailed troubleshooting tips at [support.tcl.com/us](http://support.tcl.com/us).

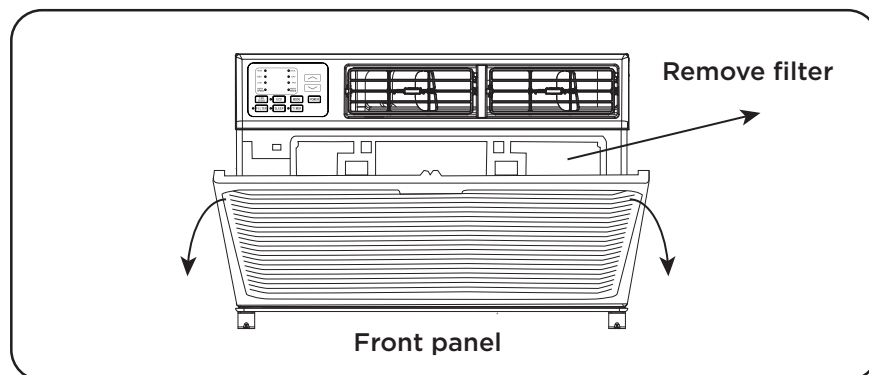
### Step 2: Installation

#### A few quick notes before installing:

- This unit is made to fit inside a standard double-hung window.
- Check the size of your window before installing.

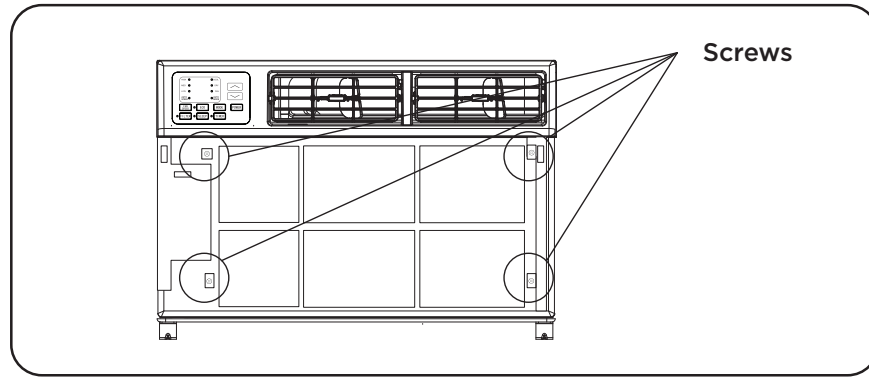
#### WINDOW MOUNTING

1. Pull down the front panel and lift upwards. Place to the side.
2. Remove the filter.

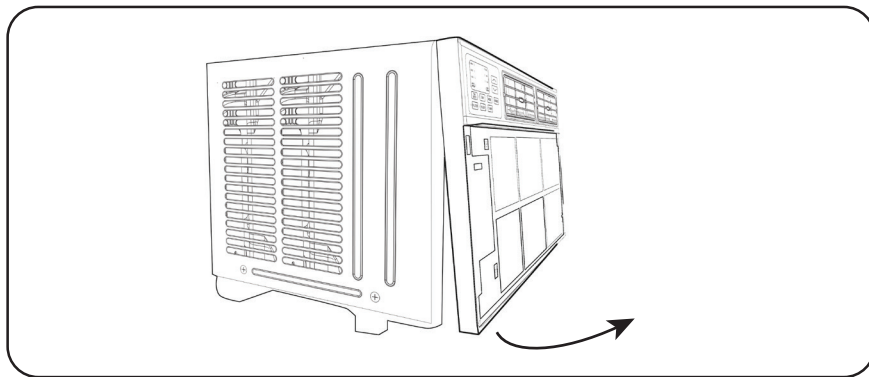




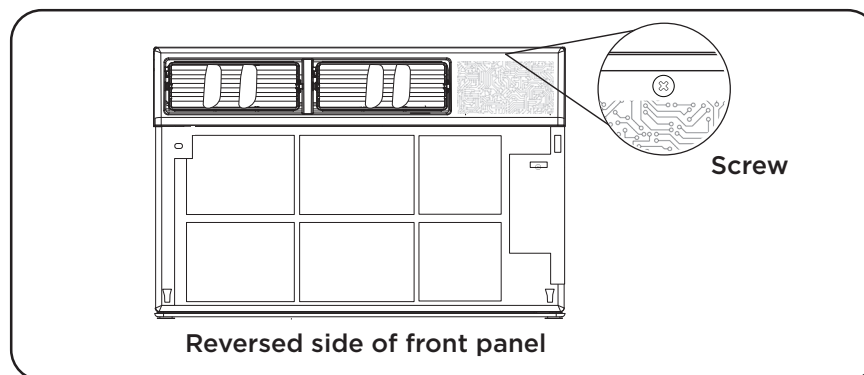
3. Locate the four faceplate screws and remove. These screws will need to be re-installed prior to mounting the air conditioner.



4. After removing the screws, gently pull away the faceplate from the air conditioner cabinet.

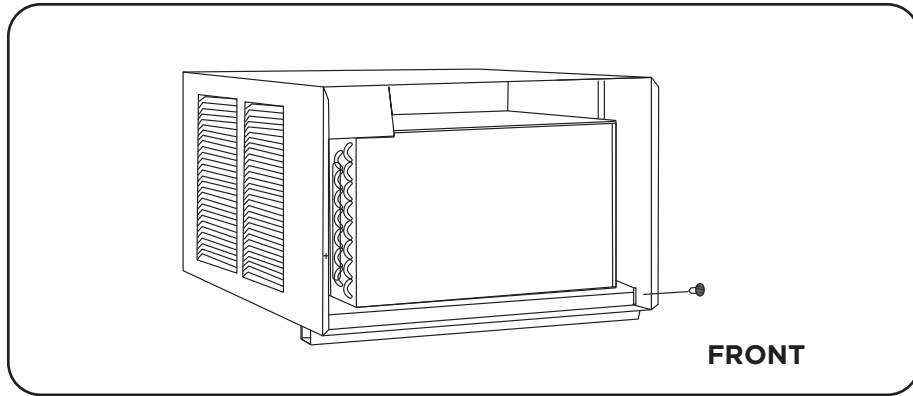


5. Rotate the detached faceplate to expose the backside of the front panel. Remove the control panel screw and set aside the faceplate.

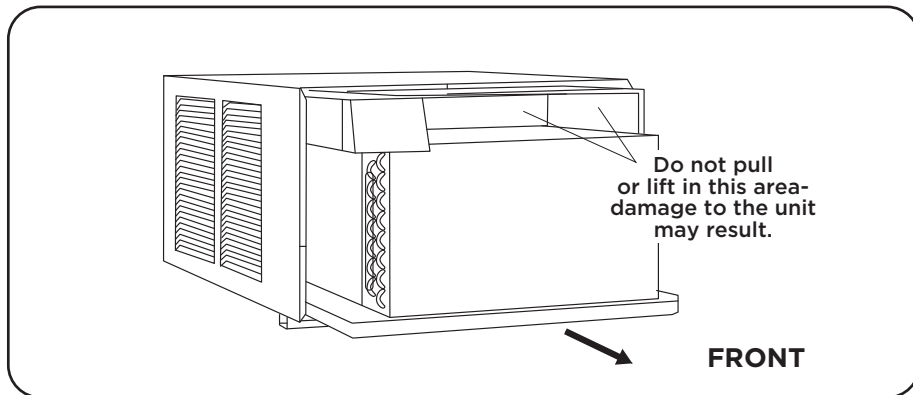


## REMOVE CHASSIS

1. Remove the six screws from the cabinet. (There are two screws on the top, left and right.)



2. Hold the cabinet while pulling on the base handle to carefully remove the unit. Do not pull or lift near the top of the unit.

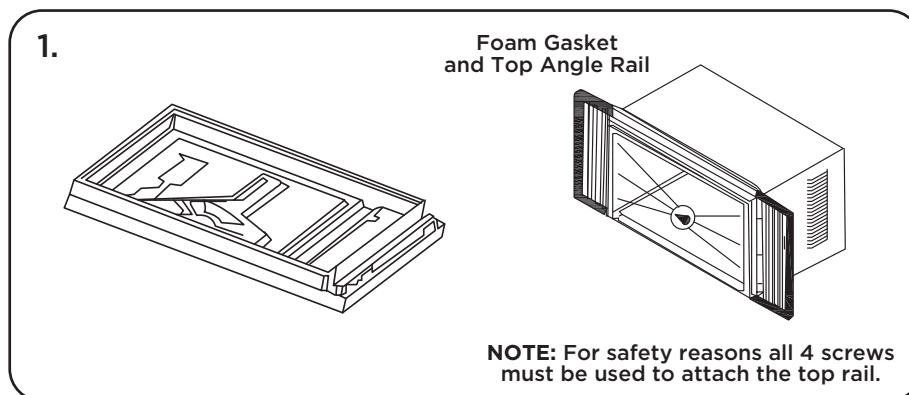


## Assembly and Installation

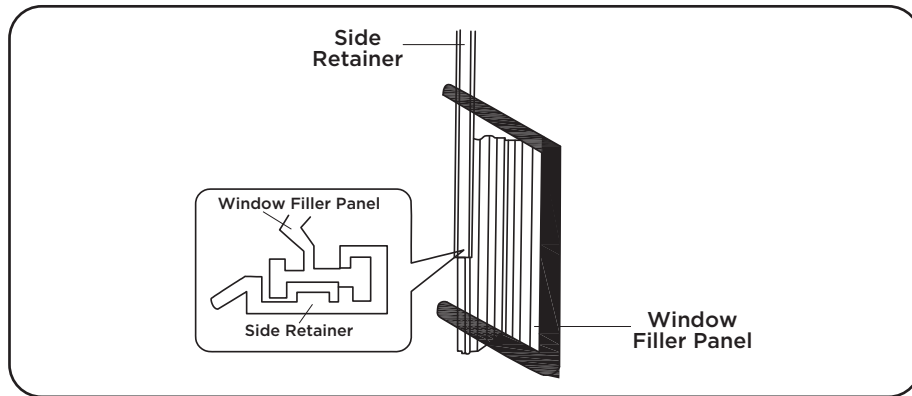
### Step 3: Top Angle Rail and Side Bracket Installation

The top rail must be assembled prior to installing the air conditioner in the window

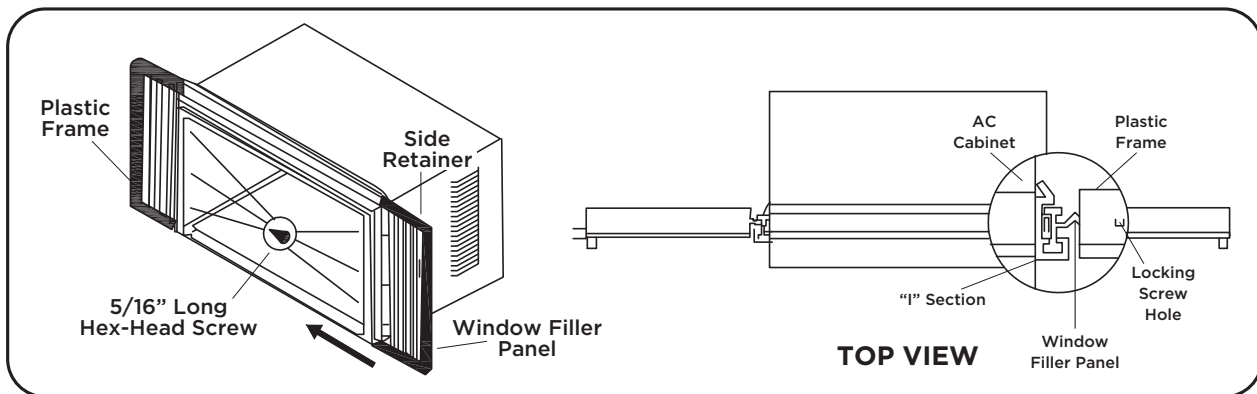
1. Place the air conditioner on a flat hard surface.
2. Remove top rail from the bottom of the packaging material as shown.
3. Secure the top rail to the unit with the 5/16" screws as shown in (Fig. 1).



- Slide the “I” section of the window panel into the side bracket of the cabinet. Do this for both sides.

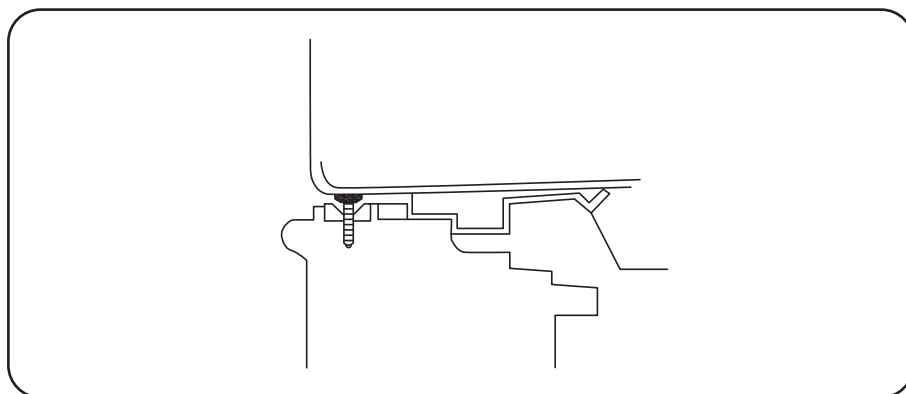


- Insert top and bottom legs of window filler panel frame into the channel on the top angle and bottom rail. Do both sides. Install side retainer to cabinet as shown.

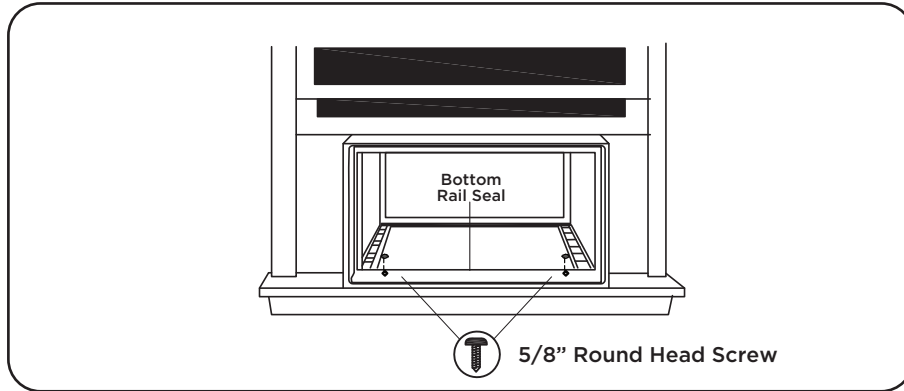


## Step 4: Placing the Cabinet Inside the Window

- Open the window and place the cabinet in the middle of the window sill.
- Make sure the bottom rail is seated over the window sill as shown below. Bring the window down temporarily behind the top angle rail to hold the cabinet in place. (It is suggested to keep a downward angle so accumulated rain water can drain out from the backside of the unit).

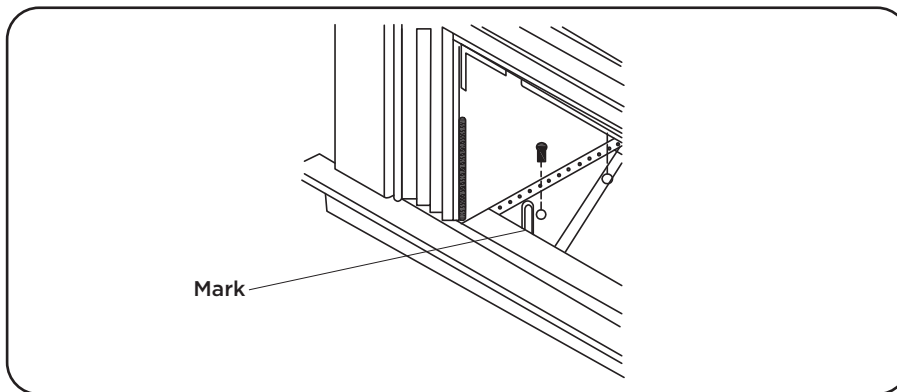


3. Fasten the cabinet to the window sill using two 5/8" round head screws. Pre-drill holes if needed. Add the bottom rail seal over the screws.

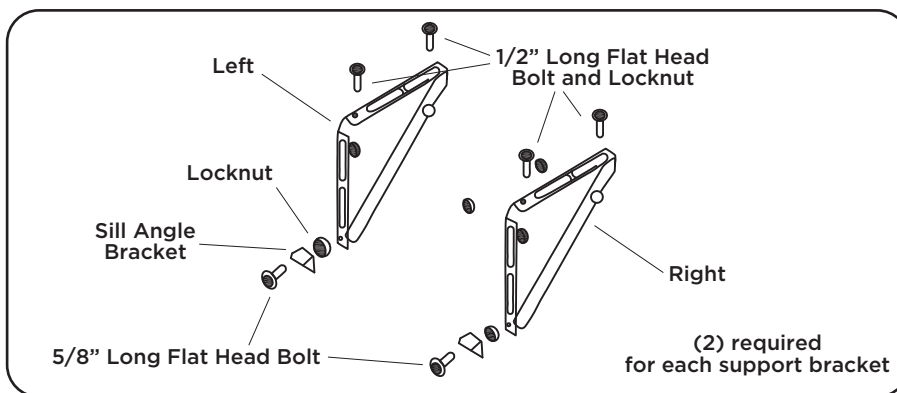


## Step 5: Install Support Brackets

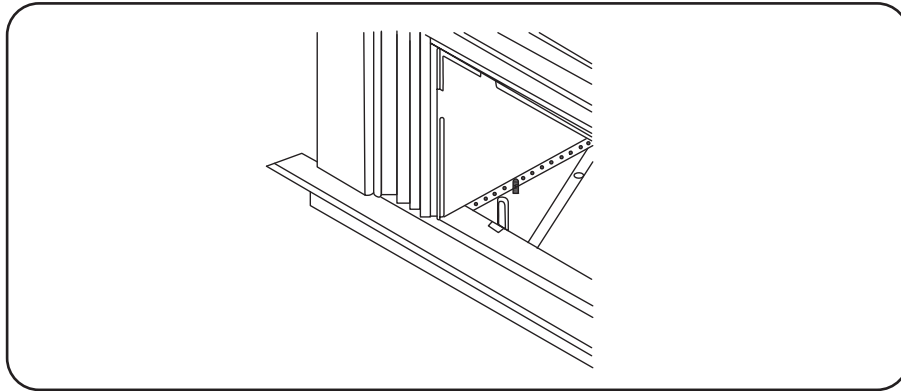
1. Hold each support bracket flush against the outside of the window sill. Tighten each bracket to the bottom of the cabinet as shown below. Mark the brackets at the top level of the window sill and then remove.



2. Assemble the sill angle brackets to the support brackets at the marked position as shown below. Hand tighten, but not all the way for any changes that may be needed to be made later during the installation.

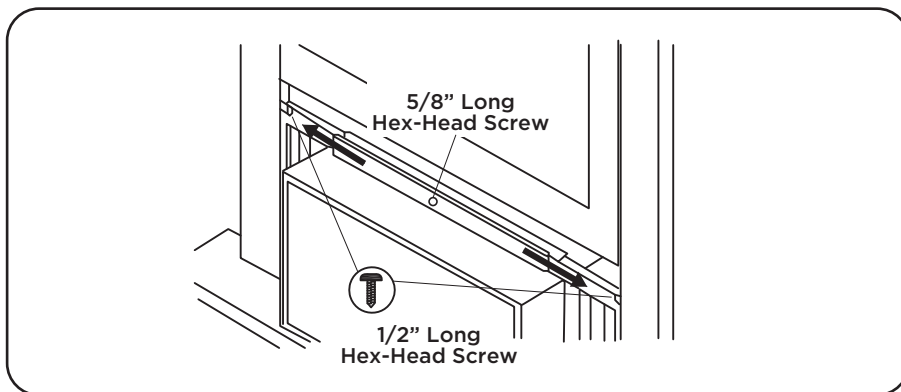


3. Install the support brackets (with sill angle brackets attached) to the bottom of the cabinet as shown below.
4. Tighten all 6 bolts securely.



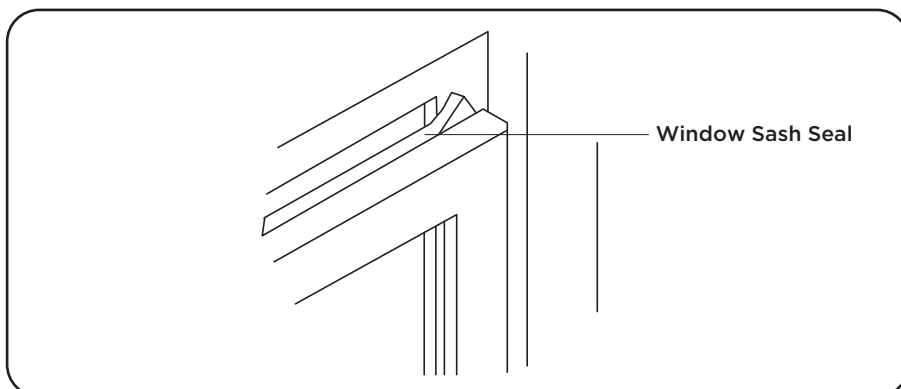
## Step 6: Extend the Accordion Panels

1. Carefully raise the window to expose the accordion panel and panel frame. Loosen the locking screws so the accordion panels slide easily.
2. Extend each panel to completely fill the width of the window. Tighten the locking screws when the panels are fully extended.

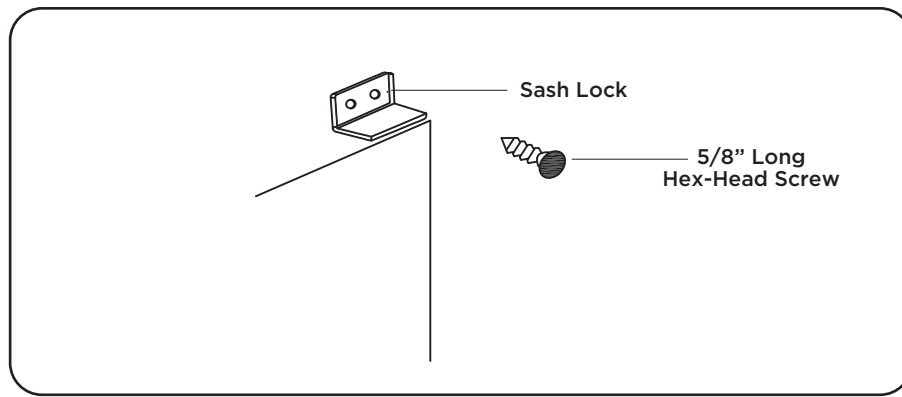


## Step 7: Install the Window Lock and Sash Seal

1. Trim the sash seal to fit the width of the window. Insert the sash seal into the space between the upper and lower sashes.



2. Attach the right angle sash lock as shown below.



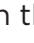
## Step 8: Installing the Chassis into the Cabinet

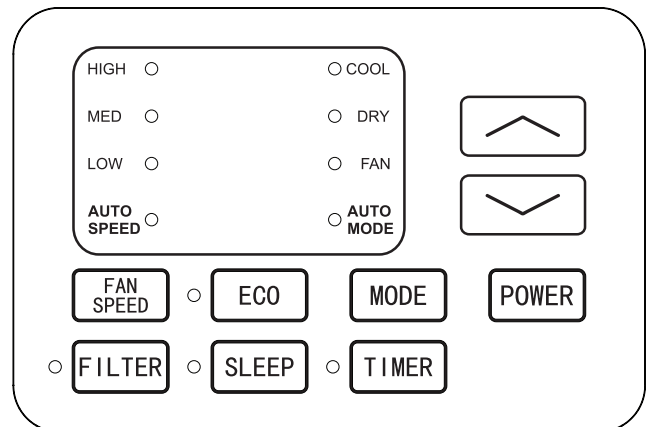
1. Team lift (with 2 people) the air conditioner chassis and carefully slide it into the cabinet. Let the front of the air conditioner hang out approximately 6 inches.
2. CAUTION! Do not push on the CONTROLS OR FINNED COILS!
3. Be sure the chassis is firmly seated in the back of the cabinet.
4. Insert all screws removed during the window installation and reattach the front face plate, front panel, and the air filter.

For through the wall installation, please refer to the online user manual.

## How to Control Your AC







### All the basics you need to know to stay cool!

1. **Power** - turn the air conditioner on and off.
2. **^ and v Buttons** - use these buttons on the control panel or remote control to increase or decrease the desired temperature, or time using the Timer. The temperature range is: 61°-88° Fahrenheit, or 16°-31° Celsius. Press for v three seconds to exit the Demand Response (DR) signal.
3. **Display** - By pressing the Display button on the remote, it can switch off/on all lights and LED Display. When the timer is not in use, the operation mode and the set temperature will be displayed. Time will be displayed under the timer setting. It would display  when the device is responding to a Demand Response (DR) signal.
4. **Modes** - Press the mode button on the control panel to cycle and select a Mode, or select a Mode by pressing the desired button the remote.
  - **Auto Mode** - The unit automatically chooses the mode of operation (cool or fan). In this mode the temperature will be set according to the room temperature (tested by the temperature sensor which is incorporated in the indoor unit.).



- **Cool Mode** - The cooling function allows the air conditioner to cool the room and reduce air humidity at the same time. Adjust the fan speed and temperature to your desired comfort level. In this mode, if Eco is not enabled, the fan may continue to run after reaching the desired temperature.
- **Eco Mode** - In Eco mode, the unit will turn off once the room is cooled to the user-set temperature. The unit will turn back on when the room temperature rises above the user-set temperature. While in Eco mode, the fan will occasionally turn on for a few seconds in order to take an accurate temperature reading. (Cool/Dry mode only)
- **Fan Mode** - Fan Mode helps to circulate air in your home, but only works when the air conditioner is vented.
- **Fan Speed** - Press the Fan Speed button to choose the fan speed options. You can choose Hi, Med, Lo or auto speed in cool mode and choose Hi, Med, Lo in fan mode.
- **Dry Mode** - This function reduces the humidity of the air to make the room more comfortable. Press the Mode button to set to Dry mode. An automatic function of alternating cooling cycles and air fan is activated.

**5. Timer Button** - press the Timer button on the panel or the Timer button on the remote to set the timer.

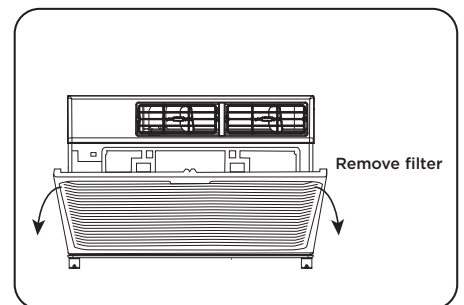
- **Set Timer On:** With the AC off, press the Timer button and then use the  and  buttons to set the desired temperature. Press the Timer button again and use the  and  buttons to set the desired amount of time before the AC turns on. Press the timer button again to start the countdown.
- **Set Timer Off:** With the AC on, press the Timer button and then use the  and  buttons to set the length of time before the AC will turn off. Press the timer button again to start the countdown.

**Note:** It can be set to automatically turn off or on in 0.5-24 hours. Each press of the buttons will increase or decrease the timer. The Timer can be set in 0.5 hour increments below 10 hours and 1 hour increments for 10 hours or above.

The Set light will turn on while setting. To cancel the set function, press the Timer button again.

- 6. Sleep Button** - In Sleep mode, all of the display lights will turn off after a while, but the Sleep light stays on. In Sleep mode, the air conditioner will automatically adjust the temperature and fan speed to make the room more comfortable during the night.
- 7. Filter Button** - After the fan motor has run for 500 total hours, the Filter Check light will turn on to remind the user to clean the filter. After you clean the filter, you can turn off the light by pressing the Filter button.

Remove the filter by removing the air intake grille using the two notches on the top left and right side of the grille cover. Once the grille is removed, you can then remove the filter. Gently wash it with a mild dish washing detergent and let dry completely before reinstalling it into the AC.

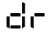



### Normal Operating Sounds

You may hear a pinging noise, caused by the water hitting the condenser on rainy days, or when the humidity is high. This design feature helps remove moisture and increase efficiency. You may hear the thermostat click when the compressor cycles on and off. Water will collect in the base pan on rainy days, or high humidity days. The water may overflow and drip from the unit on the outside. The fan may run, even when the compressor is not on.

# Troubleshooting

Having trouble completing installation? Don't worry, it's usually an easy fix.

PROBLEM	POSSIBLE CAUSES	SOLUTIONS
<b>Air Conditioner will not start</b>	The air conditioner is unplugged	<ul style="list-style-type: none"> <li>Make sure the air conditioner is plug is pushed completely into the outlet</li> </ul>
	The fuse is blown/circuit breaker is tripped	<ul style="list-style-type: none"> <li>Check the house fuse/circuit breaker box and replace the fuse or reset the breaker</li> </ul>
	Power Failure	<ul style="list-style-type: none"> <li>The unit will automatically re-start when power is restored</li> <li>There is a protective time delay (approx. 3 minutes) to prevent damage to the compressor. For this reason, the unit may not start normal cooling for 3 minutes after it is turned back on.</li> </ul>
	The current interrupter device is tripped	<ul style="list-style-type: none"> <li>Press the RESET button located on the power cord plug</li> <li>If the RESET button will not stay engaged, discontinue use of the air conditioner and contact a qualified service technician</li> </ul>
<b>Air Conditioner does not cool as it should</b>	Airflow is restricted	<ul style="list-style-type: none"> <li>Make sure there are no curtains, blinds, or furniture blocking the front of the air conditioner</li> </ul>
	The temperature control may not be set correctly	<ul style="list-style-type: none"> <li>Lower the set thermostat temperature</li> </ul>
	The air filter is dirty	<ul style="list-style-type: none"> <li>Clean the filter. See the Cleaning and Care Section of the manual</li> </ul>
	The room may be too warm	<ul style="list-style-type: none"> <li>Please allow time for the room to cool down after turning on the air conditioner</li> </ul>
	Cold air is escaping	<ul style="list-style-type: none"> <li>Check for open furnace registers and cold air returns</li> </ul>
	The Cooling Coils are frozen	<ul style="list-style-type: none"> <li>See "Air Conditioner Freezing Up" below</li> </ul>
<b>Air Conditioner is freezing up</b>	Ice blocks the air flow and stops the air conditioner from cooling the room	<ul style="list-style-type: none"> <li>Set the MODE to HIGH FAN or HIGH COOL and set the thermostat to a higher temperature</li> </ul>
<b>Remote Control is not working</b>	The batteries are inserted incorrectly	<ul style="list-style-type: none"> <li>Check the position of the batteries</li> </ul>
	The batteries may be dead	<ul style="list-style-type: none"> <li>Replace the batteries</li> </ul>
<b>Water is dripping outside</b>	Hot and humid weather	<ul style="list-style-type: none"> <li>This is normal</li> </ul>
<b>Water is dripping inside the room</b>	The air conditioner is not correctly tilted outside	<ul style="list-style-type: none"> <li>For proper water drainage, make sure the air conditioner is slightly tilted downward from the front of the unit to the rear</li> </ul>
<b>Water collects in the base pan</b>	Moisture removed from the air is draining into the base pan.	<ul style="list-style-type: none"> <li>This is normal for a short period in areas with low humidity and normal for a longer period in areas with high humidity</li> </ul>
<b>Digital Display reads "E1", "E2"</b>	A sensor has failed	<ul style="list-style-type: none"> <li>Contact customer service</li> </ul>
<b>The buzzer responds abnormally</b>	Energy management systems are controlling devices through networks	<ul style="list-style-type: none"> <li>Disconnect the device from the network</li> </ul>
<b>When  appear on the display , remote control, APP and panel buttons can not control the device</b>	When the device is responding to the Demand Response (DR) signal of the energy management system, the user can only control the device startup and light, the setting temperature may rise and the compressor may stop running.	<ul style="list-style-type: none"> <li>Wait for the Response time to close, or press  for three seconds to exit the Demand Response (DR) signal.</li> </ul>





## WiFi App Installation (for WiFi models only)

### Step 1: Download and Install the TCL Home App

Using the camera function on your smartphone, scan the QR code below to be directed to the TCL Home page. If your phone does not have a QR scanner, download one from the app store or manually type in the URL below in your smartphone's web browser. Then, download and launch the app.



<https://tcl.link/homeplusapp>

**Note:** The App only supports the 2.4 GHz WiFi band (all routers have a 2.4 GHz band).  
**Please connect to the 2.4 GHz band before you begin the app setup process.**

### Step 2: Create an Account

Once you have opened the app, select "Create account." You will then be sent a verification code to your email. Input the code and continue.

United States

TCL HOME

Email

Password

Forgot password?

Login

Quick login Create account

By creating or logging in to an account, you have agreed to our [Terms and Conditions](#) and [Privacy Notice](#)

United States

Create account

Name

Email

Next

I've read and agree to TCL's [Terms and Conditions](#)

United States

Create account

Sent code to TCLHomePlus@gmail.com

Verification code

New password

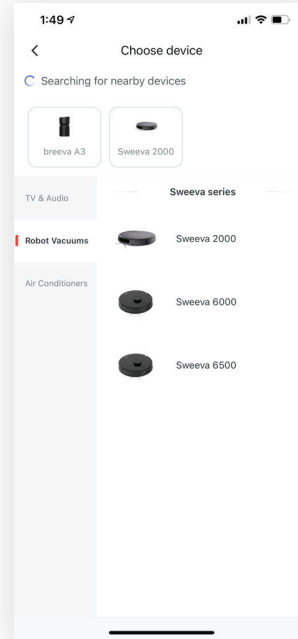
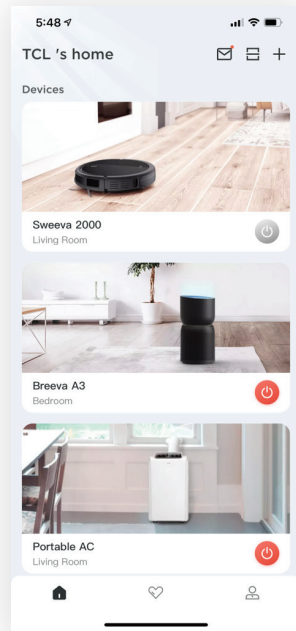
Confirm password

Verification code is valid for 15 minutes.

Confirm

## Step 3: Add Your Device

Select the “Add Devices” button and follow the in-app instructions to complete the setup.



# Troubleshooting

Having trouble completing installation? Don't worry, it's usually an easy fix.

PROBLEM	POSSIBLE CAUSES	SOLUTIONS
<b>TCL Home App loses connectivity to AC during setup</b>	Wireless router may be too far from AC	• Relocate wireless router closer to AC.
	Network error	• Restart wireless router, AC, and mobile device.
<b>TCL Home App cannot find AC</b>	Network error	• Restart wireless router, AC, and mobile device.
	App & AC are not on the same 2.4GHz channel	• Confirm your device is connected to the 2.4GHz channel.
	Router blocking TCL Home App	• Verify App is not being blocked by the router's firewall.
	Incorrect WiFi Password	• Reinput and verify WiFi password.
<b>Unable to find or connect to Wireless Network</b>	App may need permission to location	• Give TCL Home App permission to Location in phone settings.

**TCL NORTH AMERICA  
LIMITED PRODUCT WARRANTY**

**What your warranty covers:** Defects in materials or workmanship to the **original owner** of this TCL product when purchased as new from an Authorized Dealer of TCL brand products and packaged with this warranty statement.

<p><b>WARRANTY PERIOD (NON-COMMERCIAL USE):</b></p> <p>Labor: Twelve (12) Months from the original date of purchase. Parts: Twelve (12) Months from the original date of purchase.</p>	<p><b>WARRANTY PERIOD (COMMERCIAL USE):</b></p> <p>Labor: Six (6) Months from the original date of purchase. Parts: Six (6) Months from the original date of purchase.</p>
--	--

Commercial Use includes, but is not limited to, the use of this product in a commercial or business environment, the use of this product in an institution or for institutional purposes, or for other commercial purposes including rental purposes.

Should your TCL device prove to be defective in material or workmanship under normal use during the warranty period listed above, effective from the date of original consumer purchase of the product, TCL North America at its sole discretion will, (1) pay an Authorized TCL Service Center for both labor charges and parts to repair your device, or (2) replace your device with a new or refurbished/recertified equivalent product. If repaired at an Authorized TCL Service Center, TCL is not responsible for the transportation costs to the Authorized TCL Service Center. However, TCL will pay for the return shipping. TCL will provide instructions for the packaging and shipping of the unit. Units that are improperly packed and damaged during shipping are not covered under this limited product warranty. This limited product warranty is good only to the original purchaser of the product and effective only when used in North America. You must have your original purchase receipt or proof of purchase (bill of sale or receipted invoice) which states the condition of the unit (new, used), the unit's date of purchase, place of purchase, and model/serial number.

**HOW SERVICE IS HANDLED:** Call 1-800-825-6747 and choose the appropriate prompt. Please have product type, model number, serial number, and ZIP code ready. Troubleshooting and prior approval from a TCL representative **MUST** occur before sending in your product for repair.

*Product Registration Information*

You can find the model number and serial number on a label on the back or side of the product. **Register your product online at [register.tcl.com](http://register.tcl.com).**

NO OTHER WARRANTY IS APPLICABLE TO THIS PRODUCT. THIS LIMITED WARRANTY IS IN LIEU OF ANY OTHER WARRANTY, EXPRESS OR IMPLIED, INCLUDING WITHOUT LIMITATION, ANY WARRANTY OF MERCHANTABILITY OR FITNESS FOR A PARTICULAR PURPOSE. TO THE EXTENT ANY IMPLIED WARRANTY IS REQUIRED BY LAW, IT IS LIMITED IN DURATION TO THE EXPRESS WARRANTY PERIOD ABOVE. NEITHER THE MANUFACTURER NOR ITS DISTRIBUTOR SHALL BE LIABLE FOR ANY INCIDENTAL, CONSEQUENTIAL, INDIRECT, SPECIAL, OR PUNITIVE DAMAGES OF ANY NATURE, INCLUDING WITHOUT LIMITATION, LOST REVENUES OR PROFITS, OR ANY OTHER DAMAGES WHETHER BASED IN CONTRACT, TORT, OR OTHERWISE. SOME STATES AND/OR TERRITORIES DO NOT ALLOW THE EXCLUSION OR LIMITATION OF INCIDENTAL OR CONSEQUENTIAL DAMAGES OR LIMITATIONS ON THE LENGTH OF TIME AN IMPLIED WARRANTY LASTS, SO THE ABOVE EXCLUSION OR LIMITATION MAY NOT APPLY TO YOU. THIS LIMITED WARRANTY GIVES YOU, THE ORIGINAL PURCHASER, SPECIFIC LEGAL RIGHTS AND YOU MAY ALSO HAVE OTHER RIGHTS THAT VARY FROM STATE TO STATE OR TERRITORY TO TERRITORY. THIS WARRANTY IS SUBJECT TO CHANGE WITHOUT NOTICE. PLEASE VISIT [WWW.TCL.COM/US](http://WWW.TCL.COM/US) TO VIEW THE MOST CURRENT VERSION.

**THIS LIMITED PRODUCT WARRANTY DOES NOT APPLY TO:**

- |  |  |
|--|--|
| <ol style="list-style-type: none"> <li>1. Service calls to your home for delivery or pick-up, installation, instruction, replacement of house fuses, connection of house wiring or plumbing, or to correct unauthorized repairs.</li> <li>2. Failure of the product to perform due to wireless signal reception problems not caused by your unit, or due to power failures or interruptions or inadequate electrical service.</li> <li>3. Damage caused by transportation or handling, including damage during shipment from a Retailer (please contact your Retailer for assistance).</li> <li>4. Damage caused to the product by accident, vermin, lightning, wind(s), fire, flood(s), or act(s) of God.</li> <li>5. Damage caused by operating the product in a corrosive or wet atmosphere.</li> <li>6. Repairs when your TCL product is used in other-than-normal, single-family household use, or contrary to the instructions described in the product User's Guide.</li> <li>7. Damage resulting from accident, alteration, misuse, abuse, neglect, insects, normal wear-and-tear, cosmetic damage, mishandling, power line</li> </ol> | <ol style="list-style-type: none"> <li>surges, improper or faulty installation, or improper repair or maintenance. Improper repair includes the use of parts not approved or specified by TCL.</li> <li>8. Markings or images on the product's display panel.</li> <li>9. Normal maintenance as described in the User's Guide (including but not limited to cleaning or replacing filters, cleaning coils, or other normal maintenance).</li> <li>10. Use of accessories or components that are not compatible with this product.</li> <li>11. Products with altered, missing, defaced, unreadable, or removed serial numbers.</li> <li>12. Changes in the appearance of the product that do not affect product performance.</li> <li>13. Increases in utility costs and/or additional utility expenses.</li> <li>14. Products purchased from non-authorized TCL resellers.</li> <li>15. Products sold in any condition other than new from the original manufacturer or sold outside of North America.</li> </ol> |
|--|--|

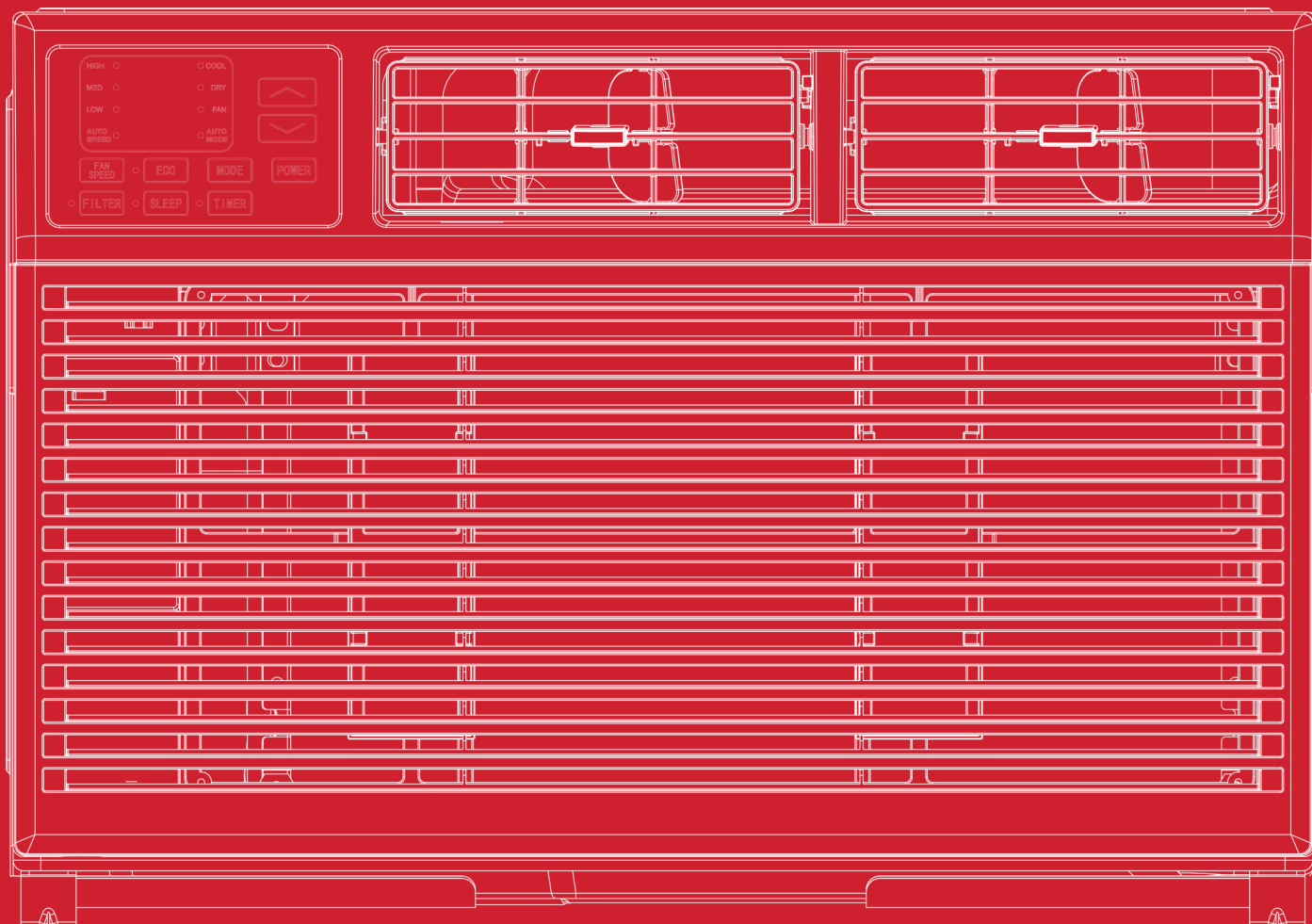
The cost of repair or replacement under these excluded circumstances shall be borne by the consumer.

**CONTACT INFORMATION:**

TCL North America  
1860 Compton Ave  
Corona, California 92881  
1-800-825-6747  
[www.tcl.com/us](http://www.tcl.com/us)

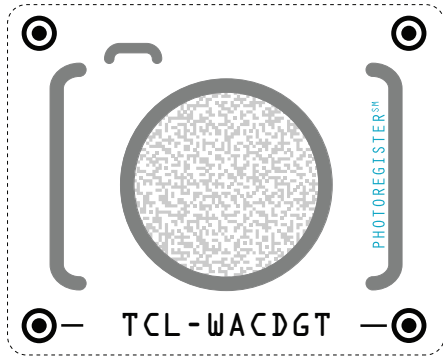
# TCL

## ¡Hola! Comencemos.



Acondicionador de Aire de Ventana 15K-24K - UM

# Registre y proteja su compra



## Regístrese fácilmente con su teléfono inteligente

Escanee o envíe un mensaje de texto con una foto del icono de la cámara al 71403

O regístrese en línea en [register.tcl.com](http://register.tcl.com)

¿Necesita ayuda? Visite [photoregister.com/help](http://photoregister.com/help) o envíe un mensaje de texto que diga HELP al 71403

Agregue un Plan de protección de TCL cuando registre el producto, a fin de contar con cobertura contra los contratiempos que la vida presenta.

Gracias por elegir TCL. Queremos que disfrute de la experiencia de propiedad tanto como disfruta del producto adquirido, por lo que, cuando realice la compra, le ofreceremos un precio especial en planes de protección de TCL durante el registro. Agregue un Plan de protección TCL dentro de los primeros 30 días de ser propietario para recibir el mejor valor y nos aseguraremos de que nada se interponga en el camino para que disfrute de su nuevo producto.

## Beneficios y descripción

	PROTECT	PLUS
<b>Cobertura extendida del fabricante</b> Cobertura ampliada de piezas y mano de obra por defectos de fabricación.	Hasta 4 años	Hasta 4 años
<b>Servicio prioritario</b> Envío gratuito y tiempo de respuesta rápido.	De 3 a 5 días	De 3 a 5 días
<b>Reemplazo del producto</b> 1 reemplazo gratuito si el producto no se puede reparar.	+	+
<b>Piezas y servicio TCL</b> Piezas TCL originales y servicio certificado de fábrica.	+	+
<b>No deducible</b> \$0 de gastos de bolsillo.	+	+
<b>Protección contra daños accidentales</b> La cobertura para caídas, roturas y derrames comienza después de 30 días.		+

\*Los planes de servicio extendido (es decir, los planes "Protect" y "Plus") solo se ofrecen en los Estados Unidos (EE. UU.). Todos los productos de TCL continúan ofreciendo una garantía limitada al consumidor tanto en los EE. UU. como en Canadá. Consulte la sección de garantía de esta guía para obtener más información sobre la garantía.

## INSTRUCCIONES IMPORTANTES DE SEGURIDAD

Antes de instalar y usar su aire acondicionado, lea detenidamente este manual. Conserve este manual en un lugar seguro para futuras consultas. Su seguridad y la de los demás son muy importantes para nosotros.

Por favor, preste atención a todos los mensajes de seguridad descritos en este manual.

**ADVERTENCIA:** Para reducir el riesgo de incendio, descarga eléctrica o lesiones al usar su aire acondicionado, ajústese a las siguientes precauciones básicas:

### REQUISITOS ELÉCTRICOS

Las clasificaciones eléctricas para su acondicionador de aire se detallan en la etiqueta del modelo y el número de serie, ubicados en el lado frontal derecho de la unidad (vista de frente).

### REGISTRE SU APARATO

Puede registrar su dispositivo en línea, visitando [register.tcl.com](http://register.tcl.com). Asegúrese de conservar su recibo de compra original. Se requiere un comprobante de compra válido para todos los reclamos de garantía.

Documente aquí su modelo y números de serie:

N° de modelo \_\_\_\_\_ N° de serie \_\_\_\_\_

Puede ubicar su número de serie de 20 dígitos debajo del código de barras (En el lado derecho del sistema de aire acondicionado).

### ADVERTENCIA

Los requisitos eléctricos específicos se muestran en el siguiente diagrama. Cumpla los siguientes requisitos en relación al tipo de enchufe en el cable de alimentación.

#### Peligro de Descarga Eléctrica

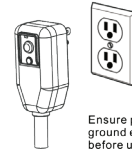
Enchufar a un tomacorrientes de 3 terminales con conexión a tierra.  
No quite el terminal de tierra.  
No use un adaptador  
No utilice un cable alargador.  
No seguir estas instrucciones puede provocar la muerte, un incendio o una descarga eléctrica.

#### Requerimientos del Cableado

- 5K - 115 voltios (103 mín - 127 máx)
- 5K - (0-8 amp)
- 5K - (fusible de retardo de 10 amp o disyuntor)
- Usar solo en un circuito de salida individual

#### Cable de Alimentación

PREFERRED  
GROUNDING METHOD



Ensure proper  
ground exists  
before use.

### MÉTODO DE PUESTA A TIERRA RECOMENDADO

Para su seguridad personal, este aire acondicionado debe estar conectado a tierra.

Este aire acondicionado está equipado con un cable de alimentación de 3 terminales con un enchufe con conexión a tierra. Para minimizar la posibilidad de descarga eléctrica, el cable debe enchufarse a un tomacorrientes de 3 clavijas y conectarse a tierra de acuerdo con todos los códigos y ordenanzas locales. Si no hay disponible un tomacorrientes de 3 terminales, es responsabilidad del cliente que un electricista calificado instale un tomacorrientes de 3 terminales debidamente conectado a tierra.

## NO LO DEVUELVA A LA TIENDA

# ESTAMOS LISTOS PARA AYUDAR

contáctenos primero  
con cualquier pregunta



ASISTENCIA TCL:  
[support.tcl.com/us](http://support.tcl.com/us)  
1-800-825-6747



## CUIDADO CUANDO RETIRE LA UNIDAD DE AIRE ACONDICIONADO

# MANUAL DE INSTALACIÓN: consideraciones importantes

En comparación con otros refrigerantes, el R32 es más ecológico. Utilice este producto según las instrucciones. Este refrigerante es inflamable y puede hacer combustión en ciertas circunstancias; sin embargo, cuando se utiliza este producto como se indica, estos riesgos se reducen significativamente. Consulte siempre con un profesional capacitado cuando realice el mantenimiento o la reparación de un aire acondicionado.

## Advertencia

- Lea el manual antes de instalar o usar el aire acondicionado, o antes de llevar a cabo el mantenimiento.
- No acelere el proceso de descongelación ni lleve a cabo la limpieza con métodos distintos de los recomendados por el fabricante.
- Tenga en cuenta que los refrigerantes pueden ser inodoros.
- No perfore ni queme el aparato.
- El aparato debe almacenarse en un ambiente libre de fuentes en funcionamiento continuo (por ejemplo: llamas abiertas, un aparato de encendido a gas en funcionamiento o un calentador eléctrico en funcionamiento).
- Póngase en contacto con el centro de servicio posventa más cercano cuando sea necesario realizar un mantenimiento. Cuando se realice el mantenimiento, el personal de mantenimiento debe cumplir rigurosamente con el manual de operación proporcionado por el fabricante correspondiente; queda prohibido que personas no profesionales realicen el mantenimiento del aire acondicionado.
- Es necesario cumplir con las disposiciones de las leyes y normas federales, estatales y locales relativas al gas.
- Es necesario que un profesional capacitado elimine el refrigerante del sistema cuando realice el mantenimiento de un aire acondicionado.



Advertencia: inflamable y peligroso



Lea el manual de usuario



Lea el manual de mantenimiento



Lea el manual de mantenimiento

## Consideraciones importantes

- **El aire acondicionado que compre debe ser instalado por personal** profesional y el "Manual de instalación" está destinado solo al personal de instalación profesional. Las especificaciones de instalación deben estar sujetas a nuestras normas de servicio posventa.
- Cuando llene el aire acondicionado con el refrigerante inflamable, tenga cuidado para evitar lesiones graves.
- Se debe realizar una prueba de fugas después de que se complete la instalación.
- Es imprescindible realizar una inspección de seguridad antes de realizar el mantenimiento o la reparación de un aire acondicionado que utilice refrigerante inflamable para garantizar que el riesgo de incendio se reduzca al mínimo.
- Requisitos según el peso total del refrigerante lleno y la superficie del cuarto que se equipará con un aire acondicionado (se muestran en las siguientes tablas GG.1 y GG.2)



## Carga máxima y superficie mínima de suelo requerida

$m1 = (4 \text{ m}^3) \times \text{LFL}$ ,  $m2 = (26 \text{ m}^3) \times \text{LFL}$ ,  $m3 = (130 \text{ m}^3) \times \text{LFL}$

Donde LFL es el límite inferior de inflamabilidad en kg/m<sup>3</sup>, de modo que el LFL del R290 es 0,038 kg/m<sup>3</sup>, y el LFL del R32 es 0,038 kg/m<sup>3</sup>.

### Para aparatos con una cantidad de carga de $m1 < M = m2$ :

La carga máxima en un cuarto debe corresponderse con lo siguiente:  $m_{\text{máx.}} = 2,5 \times (\text{LFL})^{(5/4)} \times h_0 \times (A)^{1/2}$

La superficie de suelo mínima requerida ( $A_{\text{mín}}$ ) para instalar un aparato con carga de refrigerante  $M$  (kg) debe corresponderse con lo siguiente:  $A_{\text{mín.}} = (M / [2,5 \times (\text{LFL})^{(5/4)} \times h_0])^2$

#### Donde:

$m_{\text{máx.}}$  es la carga máxima permitida en un cuarto, en kg;  $M$  es la cantidad de carga de refrigerante en el aparato, en kg;

$A_{\text{mín}}$  es la superficie mínima requerida del cuarto, en m<sup>2</sup>;  $A$  es la superficie del cuarto, en m<sup>2</sup>;

LFL es el límite inferior de inflamabilidad, en kg/m<sup>3</sup>;

$h_0$  es la altura de instalación del aparato, en metros, para calcular  $m_{\text{máx.}}$  o  $A_{\text{mín.}}$  (1,8 m para el montaje en paredes).



**Tabla GG.1: carga máxima (kg)**

Categoría	LFL (kg/m <sub>3</sub> )	h <sub>0</sub> (m)	Superficie del suelo (m <sub>2</sub> )						
			4	7	10	15	20	30	50
R32	0,306	0,6	0,68	0,9	1,08	0,32	1,53	1,87	2,41
		1	1,14	1,51	1,8	2,2	2,54	3,12	4,02
		1,8	2,05	2,71	3,24	3,97	4,58	5,61	7,254
		2,2	2,5	3,31	3,96	4,85	5,6	6,86	8,85

**Tabla GG.2: superficie mínima del cuarto (m<sub>2</sub>)**

Categoría	LFL (kg/m <sub>3</sub> )	h <sub>0</sub> (m)	Cantidad de carga (M) (kg) Superficie mínima del cuarto (m <sub>2</sub> )						
			1,224 kg	1,836 kg	2,448 kg	3,672 kg	4,896 kg	6,12 kg	7,956 kg
R32	0,306	0,6		29	51	116	206	321	543
		1		10	19	42	74	116	196
		1,8		3	6	13	23	36	60
		2,2		2	4	0	15	24	40

## Principios de seguridad para la instalación

### 1. Seguridad del sitio

Llamas abiertas prohibidas



Ventilación necesaria



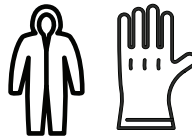
### 2. Seguridad para la operación

Tenga cuidado con la electricidad estática



Llamas abiertas prohibidas

Debe usar vestimenta de protección y guantes antiestáticos



No debe usar el teléfono móvil



### 3. Seguridad para la instalación

- Detector de fugas de refrigerante
- Lugar de instalación apropiado


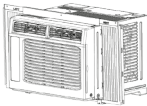



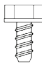





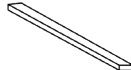







La imagen izquierda es de un detector de fugas de refrigerante.

### Tenga en cuenta lo siguiente:

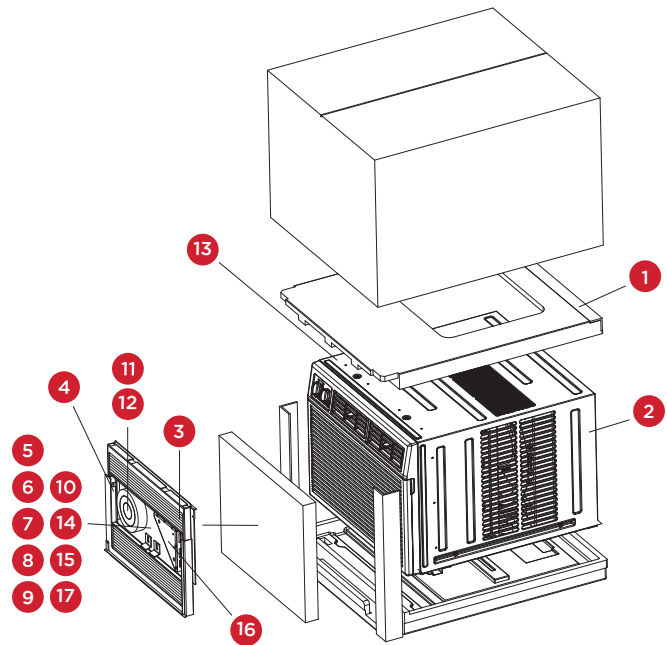
1. El sitio de instalación debe estar en un área bien ventilada.
2. Los sitios de instalación y mantenimiento de un aire acondicionado que utilice el refrigerante R32 deben estar libres de fuego abierto, soldaduras, cigarrillos encendidos, hornos de secado o cualquier otra fuente de calor superior a 548 °C que produzcan fuego abierto con facilidad.
3. Al instalar un aire acondicionado, es necesario tomar las medidas antiestáticas adecuadas, como usar vestimenta o guantes antiestáticos.
4. El lugar de instalación o mantenimiento no debe estar rodeado de obstáculos ni cerca de ninguna fuente de calor, áreas u objetos inflamables o explosivos.
5. Si el producto sufre una fuga de refrigerante durante la instalación, todo el personal debe salir del lugar durante 15 minutos, hasta que el refrigerante se filtre por completo. Si el producto está dañado, un profesional debe llevar dicho producto dañado a la estación de mantenimiento. Está prohibido soldar la tubería del refrigerante o realizar otras operaciones en el sitio contaminado.
6. La unidad de aire acondicionado debe colocarse sobre una superficie plana y uniforme.
7. Es necesario evitar los lugares donde haya otros productos eléctricos, enchufes y tomas de energía, gabinetes de cocina, camas, sofás y otros objetos de valor directamente debajo de las líneas a los dos lados de la unidad interior.
8. Las aberturas de ventilación de la unidad deben estar libres de obstrucciones.

## Qué hay en la caja

Nº	APARIENCIA	NOMBRE DE LA PARTE	CANTIDAD
1		Riel superior	1
2		Unidad de aire acondicionado	1
3		Paneles de relleno (Etiquetado "izquierda" y "derecha")	2
4		Control remoto	1
5		Cerradura de guillotina	2
6		Tornillo de cabeza hexagonal de 5/16" de largo	4
7		Tornillo de cabeza hexagonal de 5/8" de largo	3
8		Tornillo de cabeza hexagonal de 1/2" de largo	4
9		Tornillo de cabeza plana de 5/8" de largo y tuerca de seguridad	1
10		Escuadra de anclaje de alféizar	1
11		Sello de la hoja de la ventana	1
12		Junta de espuma en la parte superior de la ventana (Material de esponja delgado)	1
13		Tira de aislamiento (esponja)	2
14		Perno de 1/2" de cabeza plana y tuerca de seguridad	4
15		Junta	2
16		Soporte de soporte (Etiquetado "izquierda" y "derecha")	2
17		Batería (AAA)	2

**Herramientas necesarias:** Desatornillador Phillips

**¡Consejo!** Antes de desempaquetar, corte la cinta a lo largo de la parte superior de la caja para aflojar el contenido dentro. Una vez que levante y retire la caja, verifique el interior ya que algunas partes pueden estar atascadas en la parte superior. Puede encontrar los tornillos y otras piezas ubicadas en la bandeja debajo de la unidad del AC.



## ¡Comencemos!

### Paso 1: Pruebas

Antes de instalar el A/C, vamos a probarlo para asegurarnos de que funcione correctamente y de que su toma de corriente tenga el nivel de energía adecuado. Primero, colóquelo sobre una superficie plana, conéctelo directamente a una toma de corriente de pared (nunca use una extensión u otro dispositivo) y enciéndalo. A continuación, ponga el modo de enfriamiento y cambie el ajuste de temperatura al ajuste de enfriamiento máximo. Después de 3 minutos, el aire acondicionado debe estar soplando aire frío. Si es así, por favor continúe con el siguiente paso. Si no es así, consulte los consejos detallados para la resolución de problemas en [support.tcl.com/us](http://support.tcl.com/us).

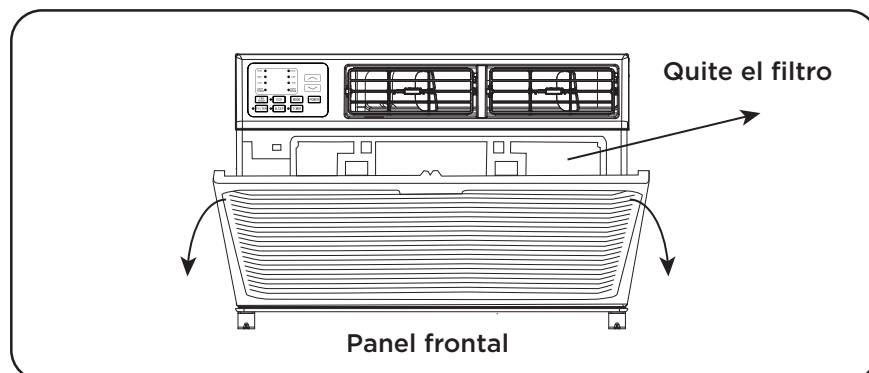
### Paso 2: Instalación

#### Unas pocas notas rápidas antes de la instalación:

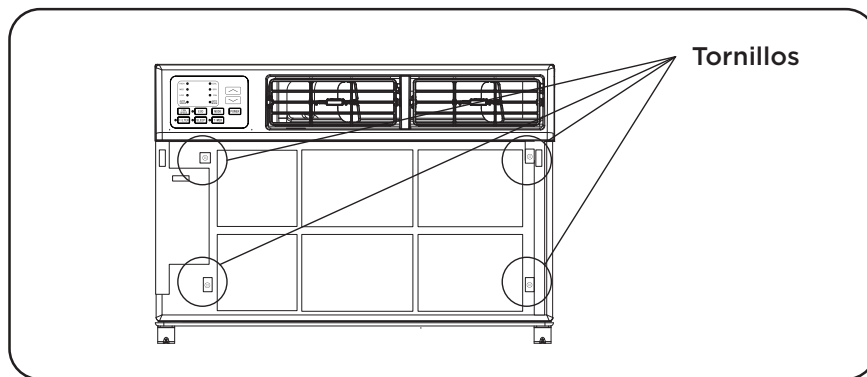
- Esta unidad está hecha para caber dentro de una ventana estándar de doble guillotina.
- Compruebe el tamaño de su ventana antes de instalarla.

#### MONTAJE EN VENTANA

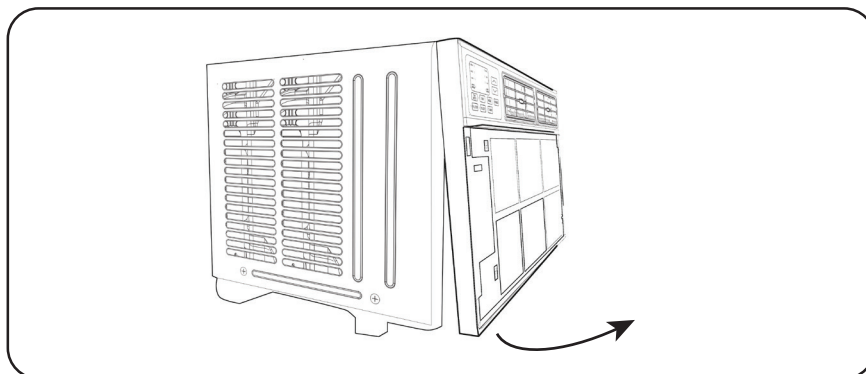
1. Tire hacia abajo del panel frontal y retire el filtro (FIG.2 abajo).
2. Levante el panel frontal hacia arriba para quitarlo y colóquelo a un lado.



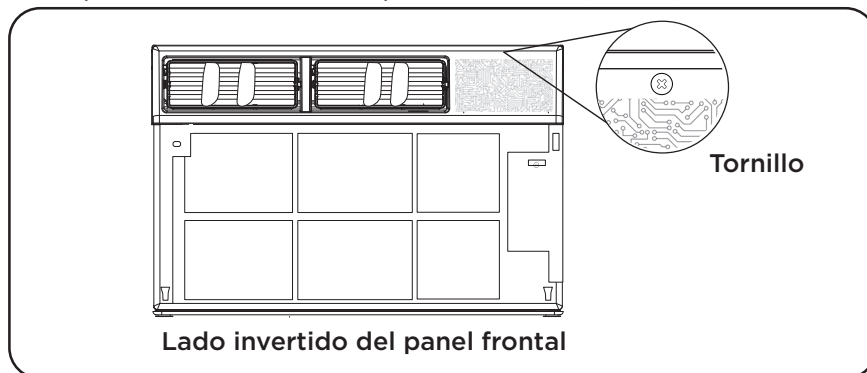
3. Localice los cuatro tornillos de la placa frontal y retírelos. Estos tornillos deberán ser reinstalados antes de montar el aire acondicionado (FIG.3 arriba).



4. Después de quitar los tornillos, tire suavemente de la placa frontal del gabinete del aire acondicionado (Fig. 4 y 5).

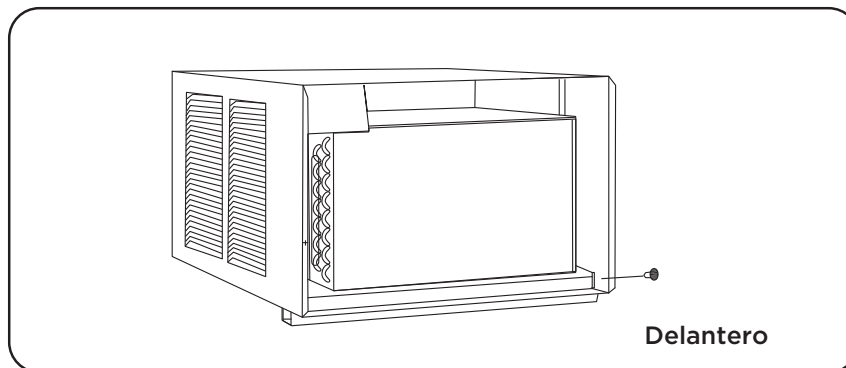


5. Retire el tornillo del panel de control del panel frontal (FIG. 6)

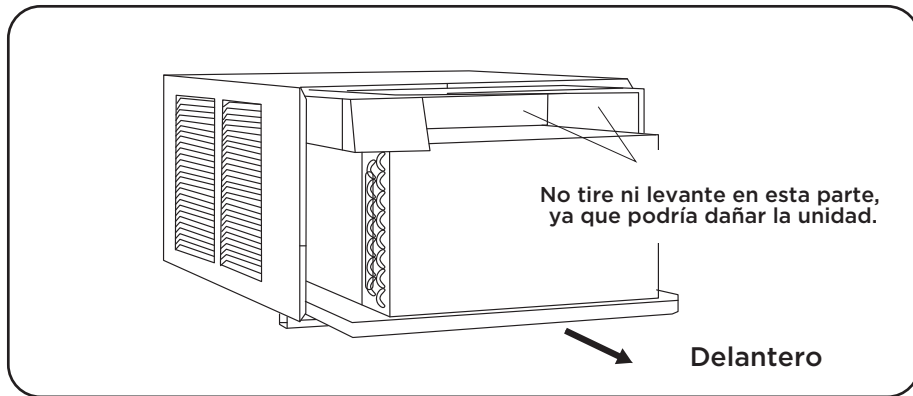


## QUITAR EL CHASIS

1. Retire los seis tornillos del gabinete. (Hay dos tornillos en la parte superior, izquierdo y derecho.)



2. Sostenga el gabinete mientras tira de la manija de la base para retirar cuidadosamente la unidad. No tire o levante cerca de la parte superior de la unidad.

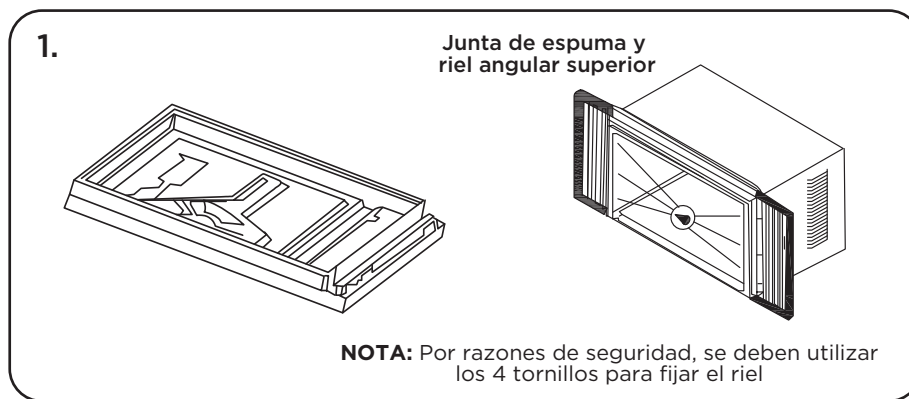


## Montaje e instalación

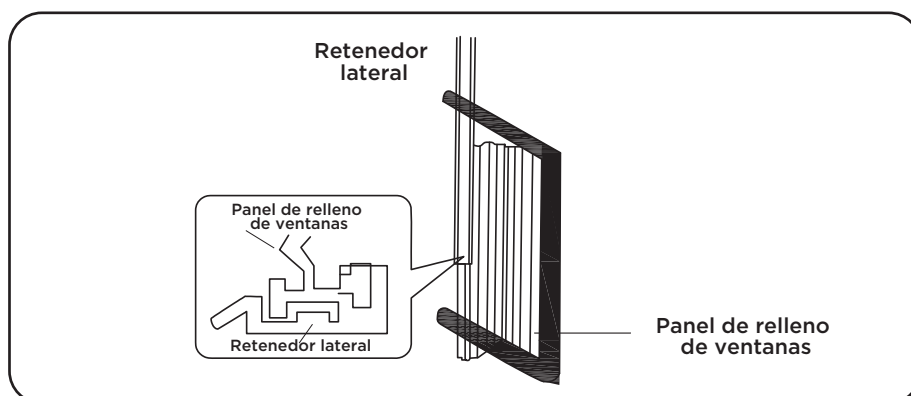
### Paso 3: Instalación del riel angular superior y de la abrazadera lateral

El riel superior debe ser montado antes de instalar el aire acondicionado en la ventana.

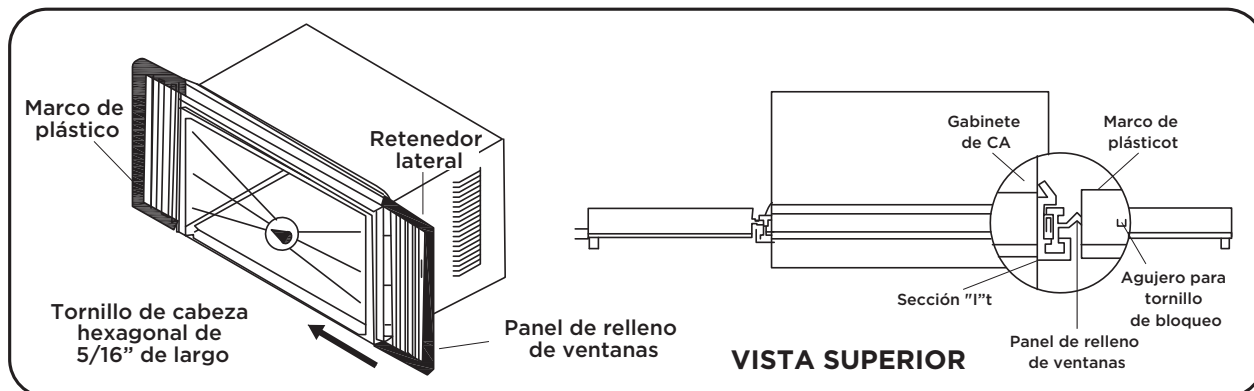
1. Coloque el aire acondicionado sobre una superficie plana y dura.
2. Retire el riel superior de la parte inferior del material de embalaje como se muestra.
3. Fije el riel superior a la unidad con los tornillos de 5/16" como se muestra en la figura 1.



4. Deslice la sección "1" del panel de la ventana en el soporte lateral del armario. Haga esto para ambos lados.

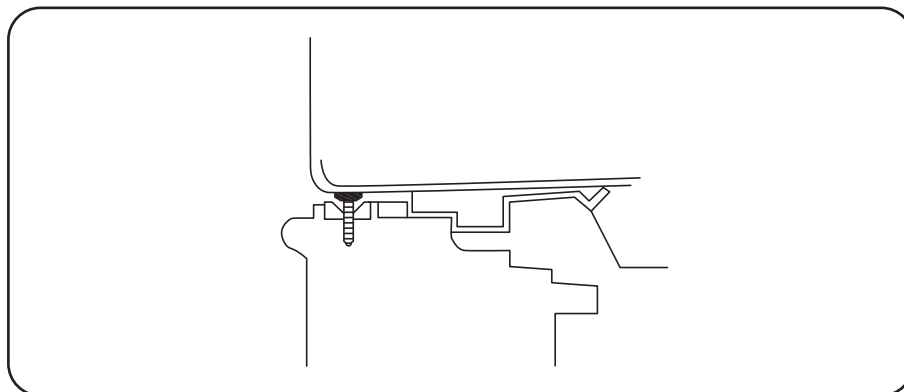


5. Inserte las patas superior e inferior del marco del panel de relleno de ventana en el canal en el ángulo superior y en el riel inferior. Haga ambos lados. Instale el retenedor lateral en el gabinete como se muestra.

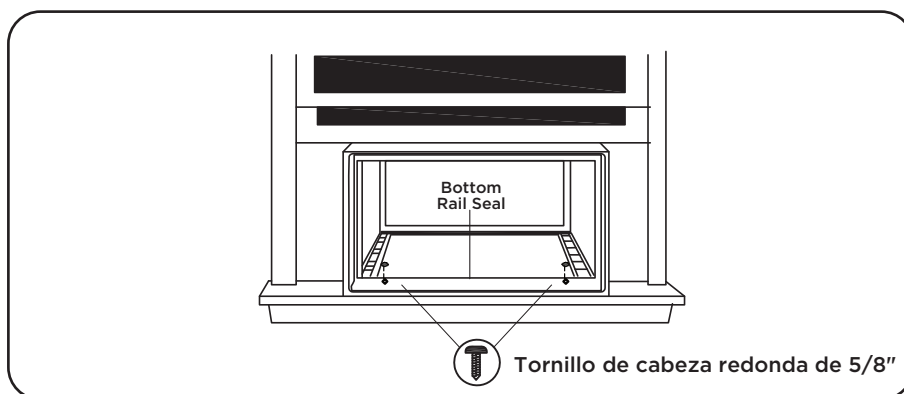


## Paso 4: Colocación del gabinete dentro de la ventana

1. Abra la ventana y coloque el aire acondicionado en el centro del alféizar de la ventana.
2. Asegúrese de que el riel inferior esté asentado sobre el alféizar de la ventana como se muestra a continuación. Baje la ventana temporalmente detrás del riel angular superior para mantener el gabinete en su lugar. (Se recomienda mantener un ángulo hacia abajo para que el agua de lluvia acumulada pueda salir por la parte posterior de la unidad).

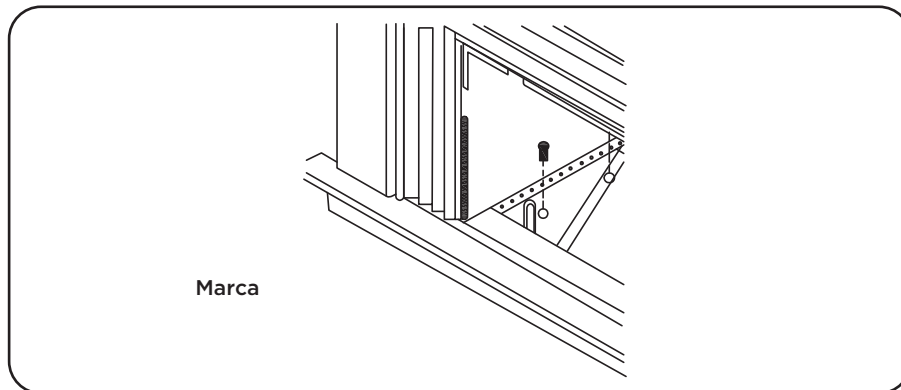


3. Fije el gabinete al alféizar de la ventana usando dos tornillos de cabeza redonda de 5/8". Pretaladre los agujeros si es necesario. Coloque el sello del riel inferior sobre los tornillos.

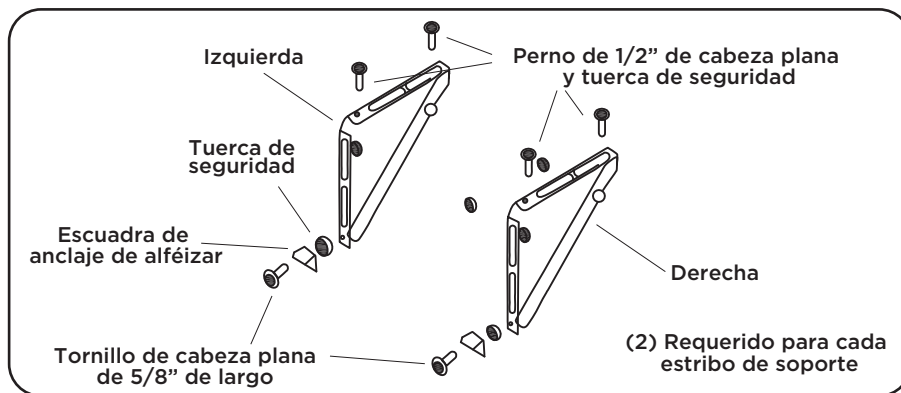


## Paso 5: Instale los soportes de soporte

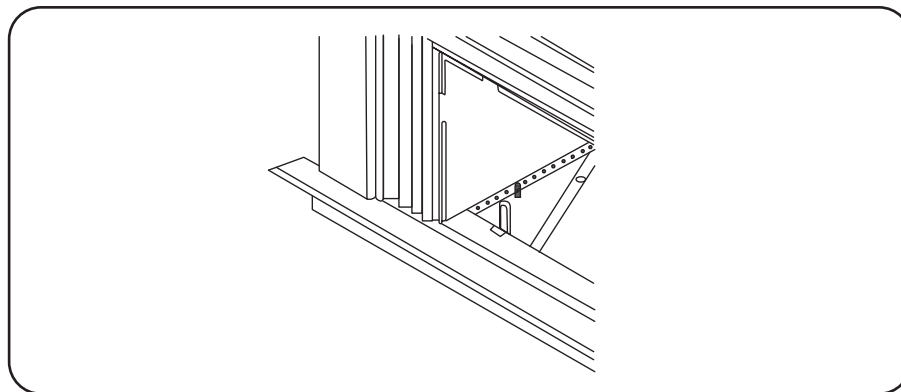
1. Sostenga cada estribo de soporte al ras, contra el exterior del alféizar de la ventana. Apriete cada soporte a la parte inferior del gabinete, como se muestra a continuación. Marque los soportes en la palanca superior del alféizar de la ventana y luego retirelos.



2. Ensamble las escuadras de ángulo del umbral a las escuadras de soporte en la posición marcada como se muestra a continuación. Apriete a mano, pero no hasta el final para poder realizar los cambios que puedan ser necesarios más adelante durante la instalación.

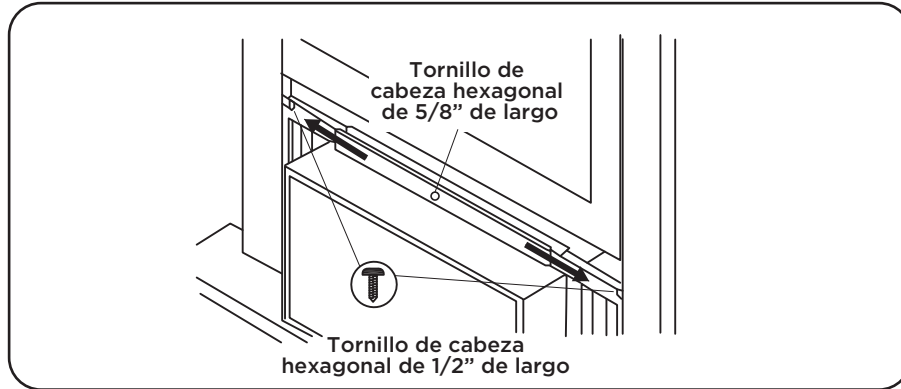


3. Instale las escuadras de soporte (con las escuadras de ángulo de alféizar fijadas) en la parte inferior del gabinete, como se muestra a continuación.
4. Apriete firmemente los 6 tornillos.



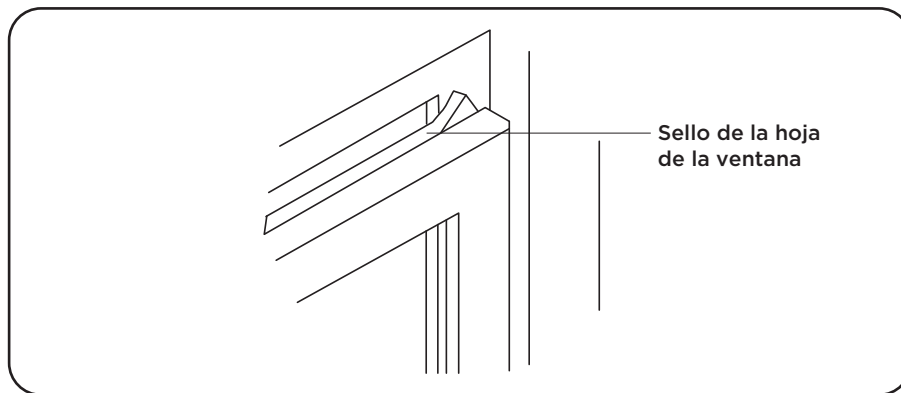
## Paso 6: Extender los paneles de acordeón

1. Levante con cuidado la ventana para exponer el panel de acordeón y el marco del panel. Afloje los tornillos de bloqueo para que los paneles de acordeón se deslicen fácilmente.
2. Extienda cada panel para llenar completamente el ancho de la ventana. Apriete los tornillos de bloqueo cuando los paneles estén completamente extendidos.

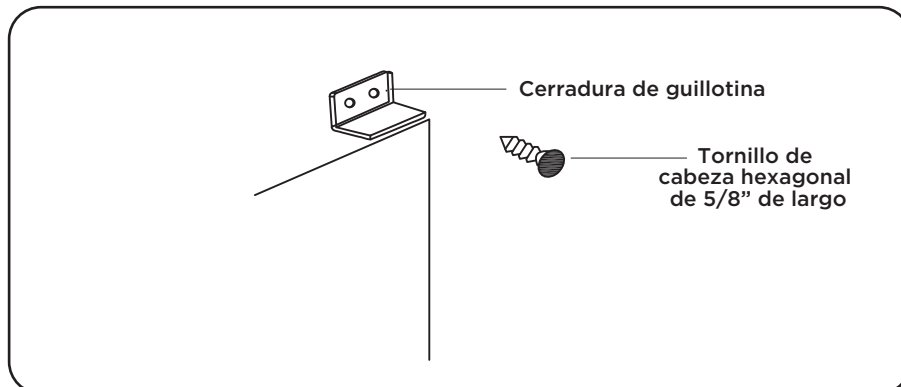


## Paso 7: Instale el seguro de la ventana y el sello de la hoja

1. Recorte el sello de la guillotina para que se ajuste al ancho de la ventana. Inserte el sello de la hoja en el espacio entre las hojas superiores e inferiores.



2. Fije el seguro del bastidor en ángulo recto, como se muestra a continuación.



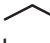




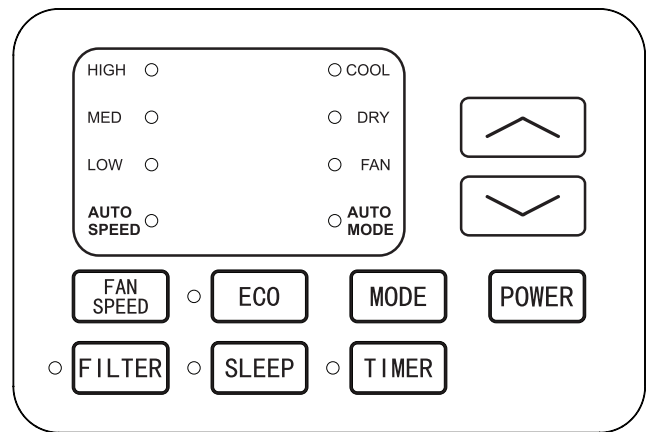
## Paso 8: Instalación del chasis en el gabinete

1. Con la ayuda de 2 personas, levante el chasis del acondicionador de aire y deslícelo cuidadosamente dentro del gabinete. Deje que la parte delantera del aire acondicionado cuelgue aproximadamente 6 pulgadas.
2. ¡PRECAUCIÓN! ¡No presione los CONTROLES O LOS DISPERSORES DE CALOR!
3. Asegúrese de que el chasis esté firmemente asentado en la parte posterior del gabinete.
4. Inserte todos los tornillos quitados durante la instalación de la ventana y vuelva a colocar la placa frontal, el panel frontal y el filtro de aire. Para obtener información sobre la instalación en la pared, consulte el manual del usuario en línea.

## Cómo controlar su aire acondicionado

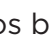
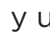




### ¡Todo lo básico que necesita saber para mantenerse fresco!

1. **Encendido** - encienda y apague el aire acondicionado.
2. **Botones**  **y**  - utilice estos botones en el panel de control o en el mando a distancia para aumentar o disminuir la temperatura o el tiempo deseados con el temporizador. El rango de temperatura es: 61°-88° Fahrenheit, o 16°-31° Celsius. Presione durante tres segundos para salir de la señal de respuesta a la demanda (DR).
3. **Pantalla** - Al presionar el botón de visualización del mando a distancia, puede apagar/encender todas las luces y la pantalla LED. Cuando el temporizador no está en uso, se verá el modo de funcionamiento con la temperatura ajustada. La hora se mostrará bajo el ajuste del temporizador. Se mostraría  cuando el dispositivo responda a una señal de respuesta a la demanda (DR).
4. **Modos** - Presione el botón de modo en el panel de control para seleccionar un Modo, o seleccione un Modo presionando el botón deseado en el control remoto.
  - **Modo automático** - La unidad elige automáticamente el modo de operación (Frío o Ventilación). En este modo, la temperatura se establecerá de acuerdo con la temperatura ambiente (verificada por el sensor de temperatura incorporado en la unidad interior).
  - **Modo cool** - La función de refrigeración permite que el aire acondicionado enfríe la habitación y reduzca la humedad del aire al mismo tiempo. Ajuste la velocidad y la temperatura del ventilador al nivel de comodidad deseada. En este modo, si el modo Eco no está activado, el ventilador puede seguir funcionando después de alcanzar la temperatura deseada.
  - **Modo Eco** - En modo Eco, la unidad se apagará una vez que la habitación se enfríe a la temperatura establecida por el usuario. La unidad se encenderá nuevamente cuando la temperatura de la habitación se incremente por encima de la establecida por el usuario. En modo Eco, el ventilador se met parfois en marche pendant quelques secondes afin de prendre une mesure précise de la température ambiante. (Modo Frío o Seco)
  - **Modo ventilador** - Ventilador. El modo ventilador ayuda a hacer que circule el aire en su casa, pero sólo funciona cuando el aire acondicionado está ventilado.



- **Velocidad del ventilador** - Presione el botón Fan Speed para elegir las opciones de velocidad del ventilador. Puede elegir Hi, Med, Lo o velocidad automática en modo cool y elegir Hi, Med, Lo en modo Fan.
- **Modo seco** - disponible solo presionando el botón Mode en el panel: esta función reduce la humedad del aire para hacer que la habitación sea más confortable. Presione el botón Mode para configurar el modo Dry. Se activa una función automática de ciclos alternados de enfriamiento y ventilador.

**5. Botón Temporizador** - Pulse el botón Timer en el panel o el botón Timer en el mando a distancia para ajustar el temporizador.

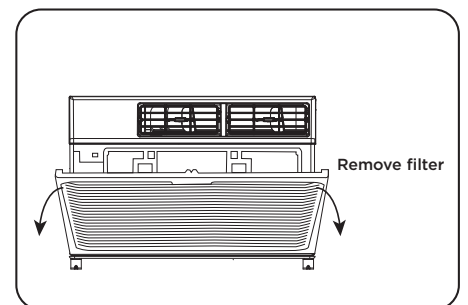
- **Activar el temporizador** : Con el sistema apagado, pulse el botón del temporizador y, a continuación, utilice los botones  y  para ajustar la temperatura deseada. Pulse de nuevo el botón TIMER y utilice los botones  y  para ajustar la cantidad de tiempo deseada antes de que se encienda la unidad. Presione de nuevo el botón del temporizador para iniciar la cuenta atrás.
- **Ajustar el temporizador a apagado** - Con la unidad encendida, pulse el botón del temporizador y luego utilice los botones  y  también para ajustar el tiempo que transcurrirá antes de que se apague la unidad. Presione de nuevo el botón del temporizador para iniciar la cuenta regresiva.

**Nota:** La unidad puede configurarse para que se apague o encienda automáticamente en 0.5-24 horas. Cada pulsación de la tecla aumenta o disminuye el valor del temporizador. El temporizador se puede ajustar en incrementos de 0.5 horas si es por menos de 10 horas y en incrementos de 1 hora durante 10 horas o más.

La luz Set se encenderá durante el ajuste. Para cancelar la función de ajuste, pulse de nuevo el botón Timer.

- 6. Botón Sleep** - En el modo de reposo Sleep todas las luces de la pantalla se apagan después de un tiempo, pero la luz Sleep permanece encendida. Al hacerlo, todas las luces de la pantalla se apagarán después de un tiempo, pero la luz de suspensión estará siempre encendida. En el modo Sleep, el aire acondicionado ajustará automáticamente la temperatura y la velocidad del ventilador para que la habitación sea más confortable durante la noche.
- 7. Botón de filtro** - Después de que el motor del ventilador haya funcionado durante un total de 500 horas, la luz de comprobación del filtro se encenderá para recordarle al usuario que limpie el filtro. Después de limpiar el filtro, puede apagar la luz pulsando el botón.

Para retirar el filtro, quite la rejilla de entrada de aire usando las dos muescas ubicadas en la parte superior izquierda y derecha de la cubierta de la rejilla. Una vez que haya quitado la rejilla, quite el filtro. Lávelo con cuidado con un detergente lavavajillas suave y déjelo secar por completo antes de volver a colocarlo en el aire acondicionado.



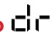

### Sonidos de funcionamiento normales

Es posible que escuche un zumbido causado por el agua que golpea el condensador en días lluviosos, o cuando la humedad es alta. Esta característica de diseño ayuda a eliminar la humedad y aumentar la eficiencia.

Es posible que oiga el clic del termostato cuando el compresor se encienda y se apague. El agua se acumulará en la bandeja en los días lluviosos o en los días de alta humedad. El agua puede desbordarse y gotear desde el exterior de la unidad. El ventilador puede funcionar, incluso cuando el compresor no está encendido.

## Solución de problemas

¿Tiene problemas para completar la instalación? No se preocupe. Suele haber una solución sencilla.

PROBLEMA	CAUSAS POSIBLES	SOLUCIONES
<b>El aire acondicionado no arranca</b>	El aire acondicionado está desconectado	<ul style="list-style-type: none"> <li>Asegúrese de que el aire acondicionado esté enchufado completamente en un toma</li> </ul>
	El fusible está quemado / ha saltado el disyuntor	<ul style="list-style-type: none"> <li>Verifique la caja de fusibles / disyuntores de la casa y reemplace el fusible o restablezca el disyuntor</li> </ul>
	Apagón eléctrico	<ul style="list-style-type: none"> <li>La unidad se reiniciará automáticamente cuando se restablezca la energía</li> <li>Hay un retraso de tiempo de protección (aprox. 3 minutos) para evitar una sobrecarga en el compresor. Por este motivo, es posible que la unidad no inicie el enfriamiento normal durante 3 minutos después de que haya vuelto a encenderse.</li> </ul>
	Se ha disparado el dispositivo interruptor actual	<ul style="list-style-type: none"> <li>Presione el botón RESET ubicado en el enchufe del cable de alimentación</li> <li>Si el botón RESET no permanece activado, deje de usar el aire acondicionado y comuníquese con un técnico de servicio calificado.</li> </ul>
<b>El aire acondicionado no se enfría como debería</b>	El flujo de aire está restringido	<ul style="list-style-type: none"> <li>Asegúrese de que no haya cortinas, persianas o muebles que bloqueen la parte delantera del aire acondicionado</li> </ul>
	El control de temperatura puede no estar correctamente configurado	<ul style="list-style-type: none"> <li>Baje la temperatura establecida del termostato</li> </ul>
	El filtro de aire está sucio	<ul style="list-style-type: none"> <li>Limpie el filtro. Consulte la sección de limpieza y cuidado del manual</li> </ul>
	La habitación puede estar muy calurosa	<ul style="list-style-type: none"> <li>Aguarde un tiempo para que la habitación se enfríe después de encender el aire acondicionado</li> </ul>
	Se escapa el aire frío	<ul style="list-style-type: none"> <li>Verifique registros de horno abierto y retornos de aire frío</li> </ul>
	Las bobinas de enfriamiento están congeladas	<ul style="list-style-type: none"> <li>Consulte "El aire acondicionado se está congelando" más abajo</li> </ul>
<b>El aire acondicionado se está congelando</b>	El hielo bloquea el flujo de aire y evita que el aire acondicionado enfríe la habitación	<ul style="list-style-type: none"> <li>Ponga el MODO en HIGH FAN o HIGH COOL y ajuste el termostato a una temperatura más alta</li> </ul>
<b>El Control Remoto no funciona</b>	Las baterías están insertadas incorrectamente	<ul style="list-style-type: none"> <li>Compruebe la posición de las baterías</li> </ul>
	Las baterías pueden estar agotadas	<ul style="list-style-type: none"> <li>Cambie las baterías</li> </ul>
<b>Gotea agua hacia afuera</b>	Clima caliente y húmedo	<ul style="list-style-type: none"> <li>Esto es normal</li> </ul>
<b>Gotea hacia dentro de la habitación</b>	El aire acondicionado no está correctamente inclinado hacia afuera	<ul style="list-style-type: none"> <li>Para un adecuado drenaje, asegúrese de que el aire acondicionado esté ligeramente inclinado hacia abajo desde la parte frontal de la unidad hacia la parte posterior</li> </ul>
<b>Se acumula en la bandeja de la base</b>	La humedad eliminada del aire está drenando hacia la bandeja de la base	<ul style="list-style-type: none"> <li>Esto es normal por un período breve en áreas con poca humedad, y normal por un período más largo en áreas con humedad alta</li> </ul>
<b>La pantalla digital dice "E1", "E2"</b>	Ha fallado un sensor	<ul style="list-style-type: none"> <li>Contacte con Atención al Cliente</li> </ul>
<b>El zumbador responde anormalmente</b>	Los sistemas de gestión de energía están controlando dispositivos a través de redes	<ul style="list-style-type: none"> <li>Desconectar el dispositivo de la red</li> </ul>
<b>Cuando  aparece en la pantalla, control remoto, Los botones de la aplicación y el panel no pueden controlar el dispositivo</b>	Cuando el dispositivo responde a la señal de respuesta a la demanda (DR) del sistema de administración de energía, el usuario solo puede controlar el encendido y la luz del dispositivo, la temperatura de ajuste puede aumentar y el compresor puede dejar de funcionar.	<ul style="list-style-type: none"> <li>Espere a que se cierre el tiempo de respuesta o presione  durante tres segundos para salir de la respuesta a la demanda (DR).</li> </ul>



## Instrucciones de la aplicación WiFi (únicamente para modelos con WiFi)

### Paso 1: Descargar e instalar la aplicación TCL Home App

Utilizando la función de cámara de su smartphone, por favor escanee el código QR de abajo para ser dirigido a la página de TCL Home page. Si su teléfono no tiene un escáner QR, descargue uno de la tienda de aplicaciones o escriba manualmente la siguiente URL en el navegador web de su smartphone. Luego, descargue e inicie la aplicación.



<https://tcl.link/homeplusapp>

**Nota:** la aplicación sólo admite la banda WiFi de 2.4 GHz (todos los routers tienen una banda de 2.4 GHz).  
**Conéctese a la banda de 2.4 GHz antes de iniciar el proceso de configuración de la aplicación.**

### Paso 2: Cree una cuenta

Una vez que haya abierto la aplicación, seleccione “Crear cuenta”. Entonces se le enviará un código de verificación a su correo electrónico. Introduzca el código y continúe.

United States

TCL HOME

Email

Password

Forgot password?

Login

Quick login Create account

By creating or logging in to an account, you have agreed to our [Terms and Conditions](#) and [Privacy Notice](#)

< United States

Create account

Name

Email

Next

I've read and agree to TCL's [Terms and Conditions](#)

< United States

Create account

Sent code to TCLHomePlus@gmail.com

Verification code 425

New password

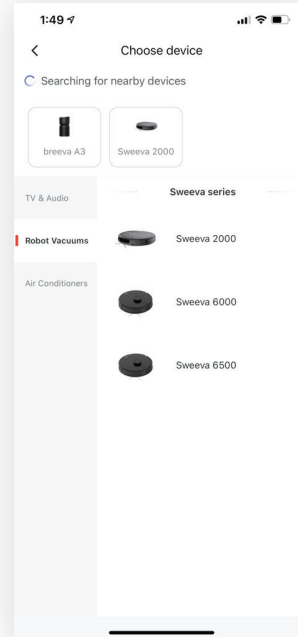
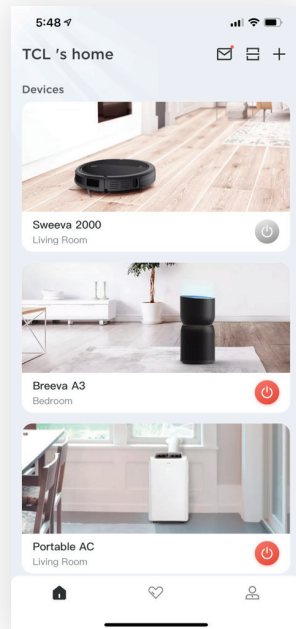
Confirm password

Verification code is valid for 15 minutes.

Confirm

## Paso 3: Agregue su dispositivo

Seleccione el botón “Añadir dispositivos” y siga las instrucciones de la aplicación para completar la configuración.



## Solución de problemas

¿Tiene problemas para completar la instalación?

No se preocupe. Suele haber una solución sencilla..

PROBLEMA	CAUSAS POSIBLES	SOLUCIONES
<b>TCL Home App loses pierde la conectividad al A/C durante la configuración</b>	El enrutador inalámbrico puede estar demasiado lejos del A/C	<ul style="list-style-type: none"> <li>• Reubique el enrutador inalámbrico más cerca del A/C.</li> </ul>
	Error de red	<ul style="list-style-type: none"> <li>• Reencienda su ruteador inalámbrico con corriente su aire acondicionado y su teléfono móvil.</li> </ul>
<b>TCL Home App no puede encontrar el A/C</b>	Error de red	<ul style="list-style-type: none"> <li>• Reencienda su ruteador inalámbrico con corriente su aire acondicionado y su teléfono móvil.</li> </ul>
	App y A/C no están en el mismo canal de 2.4GHz	<ul style="list-style-type: none"> <li>• Confirme que su dispositivo esté conectado al canal de 2.4GHz.</li> </ul>
	El router está bloqueando TCL Home App	<ul style="list-style-type: none"> <li>• Verifique si la aplicación no está bloqueada por el cortafuegos del ruteador.</li> </ul>
	Contraseña WiFi incorrecta	<ul style="list-style-type: none"> <li>• Reingrese y verifique la contraseña del WiFi</li> </ul>
<b>No se pudo conectar usando el modo CF</b>	La aplicación puede necesitar permiso para ubicarse	<ul style="list-style-type: none"> <li>• Conceda permiso de Ubicación a TCL Home App en la configuración del teléfono.</li> </ul>

**TCL NORTH AMERICA**  
**GARANTÍA DE PRODUCTO LIMITADA**

**Lo que su garantía cubre:** Defectos materiales o de mano de obra para el **propietario original** de este producto TCL cuando lo compra como nuevo en un concesionario autorizado de productos de marca TCL y embalado con este certificado de garantía.

PERÍODO DE GARANTÍA (USO NO COMERCIAL):	PERÍODO DE GARANTÍA (USO COMERCIAL):
Mano de obra: Doce (12) meses desde la fecha original de compra. Piezas: Doce (12) meses desde la fecha original de compra.	Mano de obra: Seis (6) meses desde la fecha original de compra. Piezas: Seis (6) meses desde la fecha original de compra.

El uso comercial incluye, entre otros, el uso de este producto en un entorno comercial o empresarial, el uso de este producto en una institución para fines institucionales, u otros fines comerciales, como alquiler.

Si su dispositivo TCL tiene defectos de material o mano de obra en condiciones de uso normal durante el período de garantía que se indicó anteriormente, a partir de la fecha de compra original por parte del consumidor, TCL North America, a su completa discreción, (1) pagará a un Centro de servicio autorizado de TCL por los cargos de mano de obra y piezas para reparar su dispositivo, o (2) reemplazará su dispositivo con un producto equivalente nuevo o restaurado/recertificado. Si repara su producto en un Centro de servicio autorizado de TCL, TCL no se hará responsable de los costos de transporte hasta dicho centro. Sin embargo, TCL cubrirá los gastos de envío del producto. TCL proporcionará instrucciones para el embalaje y el envío de la unidad. Las unidades que están mal embaladas y que se dañen durante el envío no están cubiertas por la garantía del producto. Esta garantía limitada del producto solo es válida para el comprador original del producto y está vigente solo cuando se utiliza en Norteamérica. Debe tener su recibo de compra original o el comprobante de compra (factura de venta o factura aceptada) que indique la condición de la unidad (nueva, usada), la fecha de compra de la unidad, el lugar de compra y el modelo o número de serie.

**CÓMO SE GESTIONAN LOS SERVICIOS:** Llame al 1-800-825-6747 y elija el mensaje apropiado. Tenga listo el tipo de producto, el número de modelo, el número de serie y el código postal. La resolución de problemas y la aprobación de un representante de TCL DEBEN ocurrir antes de que envíe su producto para reparación.

*Información de registro del producto*

Puede encontrar el número de modelo y el número de serie en una etiqueta en la parte posterior o lateral del producto. **Registre su producto en línea en [register.tcl.com](http://register.tcl.com).**

NINGUNA OTRA GARANTÍA ES APLICABLE A ESTE PRODUCTO. ESTA GARANTÍA SUSTITUYE A CUALQUIER OTRA GARANTÍA, EXPRESA O IMPLÍCITA, ENTRE OTRAS, CUALQUIER GARANTÍA DE COMERCIABILIDAD O IDONEIDAD PARA UN FIN DETERMINADO. EN LA MEDIDA EN QUE LA LEY EXIJA CUALQUIER GARANTÍA IMPLÍCITA, ESTARÁ LIMITADA EN LA DURACIÓN DEL PERÍODO DE GARANTÍA EXPRESA ANTERIOR. NI EL FABRICANTE NI SU DISTRIBUIDOR ESTADOUNIDENSE SERÁN RESPONSABLES DE NINGÚN DAÑO INCIDENTAL, RESULTANTE, INDIRECTO, ESPECIAL O PUNITIVO DE CUALQUIER NATURALEZA, INCLUIDOS, ENTRE OTROS, LA PÉRDIDA DE INGRESOS O GANANCIAS, O CUALQUIER OTRO DAÑO, YA SEA BASADO EN CONTRATO, AGRAVIO O DE OTRO TIPO. ALGUNOS ESTADOS O TERRITORIOS NO PERMITEN LA EXCLUSIÓN O LIMITACIÓN DE DAÑOS O LIMITACIONES INCIDENTALES O CONSECUENTES SOBRE EL TIEMPO QUE DURA UNA GARANTÍA IMPLÍCITA, POR LO QUE ES POSIBLE QUE LA EXCLUSIÓN O LIMITACIÓN ANTERIOR NO SE APLIQUE A USTED. ESTA GARANTÍA LE PROPORCIONA A USTED, EL COMPRADOR ORIGINAL, DERECHOS LEGALES ESPECÍFICOS Y USTED TAMBIÉN PUEDE TENER OTROS DERECHOS QUE VARIAN DE UN ESTADO A OTRO O DE UN TERRITORIO A OTRO. ESTA GARANTÍA ESTÁ SUJETA A CAMBIOS SIN PREVIO AVISO. VISITE [WWW.TCL.COM/EN](http://WWW.TCL.COM/EN) PARA VER LA VERSIÓN MÁS RECIENTE.

**ESTA GARANTÍA DE PRODUCTO LIMITADA NO SE APLICA A:**

1. Llamadas de servicio a su hogar para la entrega o recolección, instalación, instrucción, reemplazo de fusibles domésticos, conexión de cableado o plomería domésticos, o para corregir reparaciones no autorizadas.
2. Casos en los que el producto no funciona debido a problemas de recepción de señal inalámbrica que no son causados por su unidad, o debido a fallas o interrupciones de energía o servicio eléctrico inadecuado.
3. Daños causados por el transporte o la manipulación, incluidos los daños producidos durante el envío desde un minorista (comuníquese con su minorista para recibir asistencia).
4. Daños causados al producto por accidente, alimañas, rayos, vientos, incendios, inundaciones o casos fortuitos.
5. Daños causados por el funcionamiento del producto en una atmósfera corrosiva o húmeda.
6. Reparaciones cuando el producto TCL se utiliza en un uso diferente al doméstico normal de una sola familia o en contra de las instrucciones descritas en la Guía del usuario del producto.
7. Daños derivados de accidentes, alteraciones, uso indebido, abuso, negligencia, insectos, desgaste normal, daños cosméticos, manipulación incorrecta, sobretensión, instalación incorrecta o deficiente, o reparación o mantenimiento inapropiados. La reparación inadecuada incluye el uso de piezas no aprobadas o especificadas por TCL.
8. Marcas o imágenes en el panel de visualización del producto.
9. Mantenimiento normal según lo descrito en la Guía del usuario (entre otros, limpiar o reemplazar filtros, limpiar bobinas u otro tipo de mantenimiento normal).
10. Uso de accesorios o componentes que no sean compatibles con este producto.
11. Productos con números de serie modificados, faltantes, anulados, ilegibles o eliminados.
12. Cambios en la apariencia del producto que no afectan su rendimiento.
13. Aumentos en los costos de los servicios públicos o gastos de servicios públicos adicionales.
14. Productos comprados a revendedores de TCL no autorizados.
15. Productos vendidos en cualquier condición que no sea nueva y obtenidos del fabricante original o vendidos fuera de Norteamérica.

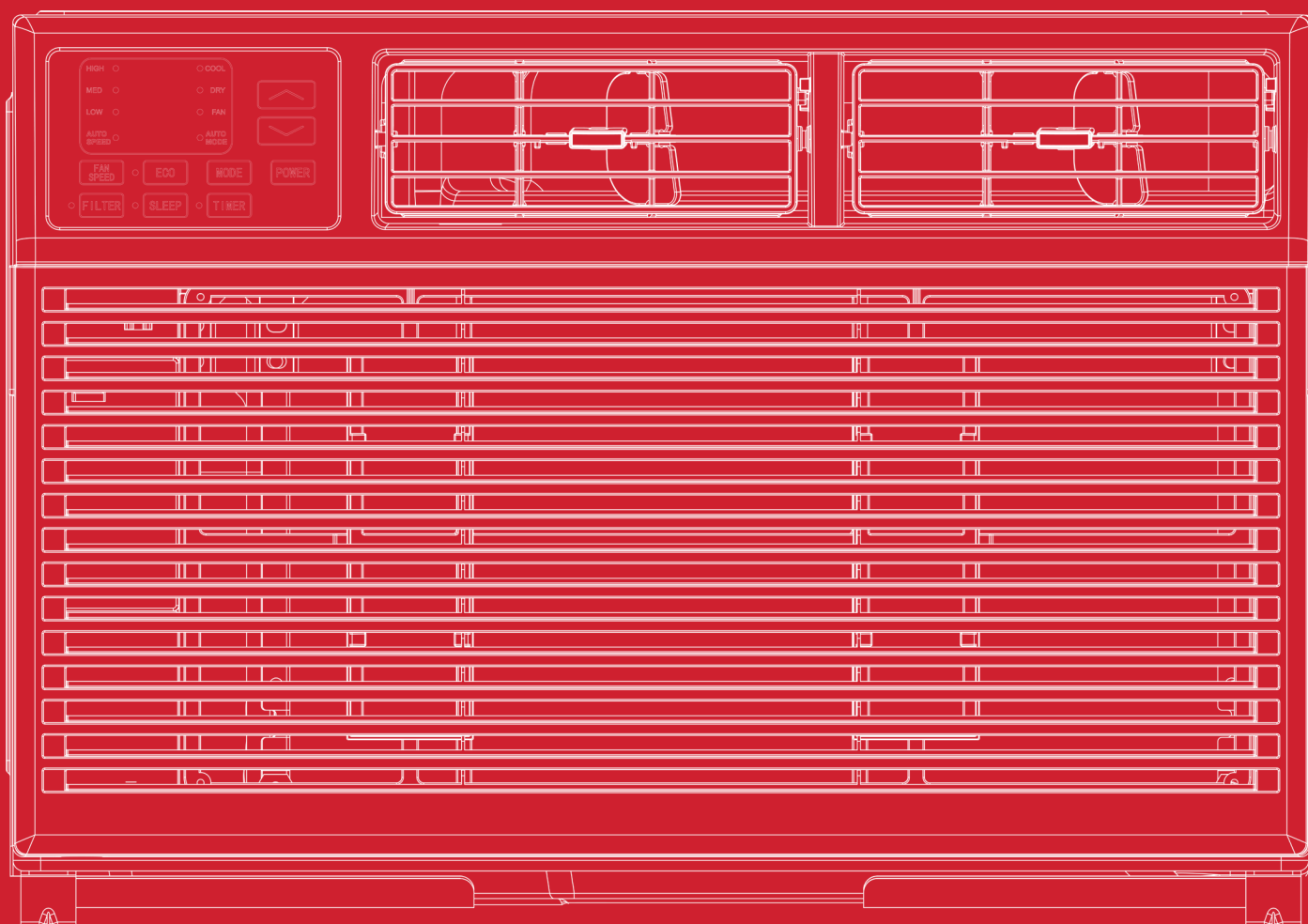
El costo de reparación o reemplazo bajo estas circunstancias excluidas será asumido por el consumidor.

**INFORMACIÓN DE CONTACTO:**

TCL North America  
1860 Compton Ave  
Corona, California 92881  
1- 800-825-6747  
[www.tcl.com/us](http://www.tcl.com/us)

# TCL

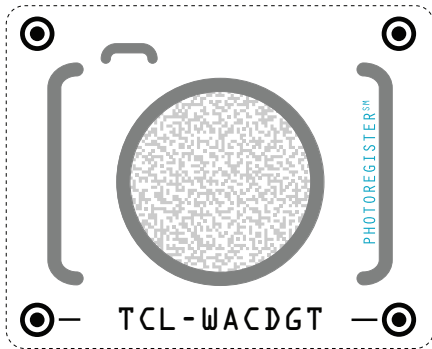
## Commençons l'installation



Climatiseur de fenêtre 15K-24K - UM



# Register and protect your purchase Enregistrez et protégez votre achat







## Text to Register

Text a photo of the camera icon to **71403**

**Or register online** at [register.tcl.com](http://register.tcl.com)  
**Need help?** Visit [photoregister.com/help](http://photoregister.com/help) or text HELP to 71403

## Enjoy exclusive benefits with registration:

-  Expedited support and service
-  Insider tips on your appliance
-  Exclusive offers and promotions
-  Verification of ownership

## Inscrivez-vous facilement avec votre téléphone intelligent.

Scannez ou envoyez une photo de l'icône de l'appareil photo au numéro **71403**.

**Ou inscrivez-vous en ligne sur** [register.tcl.com](http://register.tcl.com)

**Vous avez besoin d'aide ?** Visitez [photoregister.com/help](http://photoregister.com/help) ou textez HELP par SMS au numéro 71403.

## Profitez d'avantages exclusifs lors de l'enregistrement :

-  Assistance et service accélérés
-  Des astuces pour votre appareil
-  Offres et promotions exclusives
-  Vérification de propriété

\*All TCL products continue to offer a limited consumer warranty in both the US and Canada. Please refer to the warranty section in this guide for additional details on warranty information.

\*Tous les produits TCL continuent d'offrir une garantie limitée aux consommateurs aux États-Unis et au Canada. Veuillez consulter la section garantie dans ce guide pour obtenir plus d'informations.

## CONSIGNES DE SÉCURITÉ IMPORTANTES

Avant d'installer et d'utiliser votre climatiseur, veuillez lire avec attention ce guide de l'utilisateur et, pour référence ultérieure, rangez-le dans un endroit sécuritaire. Pour nous, votre sécurité - et celle des autres - est très importante. Nous vous demandons de lire attentivement tous les messages de sécurité de ce guide.

**MISE EN GARDE :** Pour réduire les risques d'incendie, de choc électrique ou de blessure en utilisant votre climatiseur, veuillez prendre les précautions de base suivantes :

## ALIMENTATION

Les caractéristiques électriques de votre climatiseur sont indiquées sur l'étiquette du modèle et du numéro de série située à l'avant, à droite, en faisant face à l'appareil.

## ENREGISTREMENT DE VOTRE APPAREIL



Vous pouvez enregistrer votre appareil en ligne sur le site [register.tcl.com](http://register.tcl.com)

N'oubliez pas de conserver votre facture, car une preuve d'achat est nécessaire pour faire valoir la garantie.

Consignez ici les numéros de modèle et de série de votre appareil :

No de modèle \_\_\_\_\_ No de série \_\_\_\_\_

Vous trouverez le numéro de série à 20 chiffres sous le code à barres (au dos de l'appareil)

AVERTISSEMENT		Des exigences spécifiques en câblage sont illustrées dans le diagramme qui suit. Respectez-les en ce qui a trait au type de fiche du cordon d'alimentation.	
Risque de choc électrique	Exigences en câblage	Cordon d'alimentation	
En insérant la fiche dans une prise tripolaire avec mise à la terre (trois broches). Ne retirez pas la broche de mise à la terre. N'utilisez pas d'adaptateur. N'utilisez pas de rallonge. Le non-respect de ces consignes peut donner lieu à un décès, un incendie ou un choc électrique.	<ul style="list-style-type: none"><li>(15K) 115 volts (103 V. min à 127 V. max) (18K - 24K) 230 volts (187 V. min - 253 V. max)</li><li>(15K) 0 à 11 A (18K) 7,1 A (24K) 11,0 A</li><li>(15K) fusible temporisé de 3,15 A ou disjoncteur (18K-24K) fusible temporisé de 3,15 A ou disjoncteur</li><li>Pour tous les modèles, n'utilisez qu'une seule prise d'alimentation</li></ul>	<p>MÉTHODE PRÉFÉRÉE DE MISE À LA TERRE</p>  <p>Avant toute utilisation, assurez-vous qu'une prise à la terre est bien en place</p> <p>15K BTU 115 Volts</p>	 <p>18K - 24K BTU 208/230 Volts</p>

## MÉTHODE RECOMMANDÉE POUR LA MISE À LA TERRE

Pour votre sécurité personnelle, ce climatiseur doit être mis à la terre. Il est équipé d'un cordon d'alimentation muni d'une fiche polarisée avec mise à la terre (3 broches). Pour minimiser la possibilité de choc électrique, le cordon doit être branché dans une prise tripolaire avec mise à la terre, conformément à tous les codes et règlements locaux. Si une prise tripolaire n'est pas disponible, la responsabilité de l'installation appropriée d'une telle prise par un technicien qualifié incombe au client.

**Ne retournez pas à la boutique**

**Nous sommes prêts à vous aider**

Pour toute question, contactez-nous d'abord



Soutien TCL :  
[support.tcl.com/us](http://support.tcl.com/us)  
1-800-825-6747



**Soyez prudent en retirant le climatiseur**

# MANUEL D'INSTALLATION---Points importants

Par rapport aux autres réfrigérants, R32 est plus respectueux de l'environnement. Veuillez utiliser ce produit comme indiqué. Ce réfrigérant est inflammable et peut s'enflammer dans certaines conditions. Toutefois, lorsque ce produit est utilisé conformément aux instructions, ces risques sont considérablement réduits. Consultez toujours un professionnel qualifié pour l'entretien ou la réparation d'un climatiseur.

## Avertissement

- lisez le manuel avant de procéder à l'installation, à l'utilisation ou à l'entretien.
- Évitez de prendre des mesures visant à accélérer le processus de dégivrage ou à nettoyer, autres que celles recommandées par le fabricant.
- Sachez que les réfrigérants peuvent ne pas avoir d'odeur.
- Évitez de percer ou de brûler l'appareil.
- L'appareil doit être entreposé dans une pièce sans sources en fonctionnement continu (par exemple : flammes vives, appareil fonctionnant au gaz ou chauffage électrique en fonctionnement).
- Communiquez avec le centre de service après-vente le plus proche lorsque l'entretien est nécessaire. Au moment de l'entretien, le personnel d'entretien est tenu de se conformer scrupuleusement au manuel d'utilisation fourni par le fabricant en question et toute personne non qualifiée n'est pas autorisée à assurer l'entretien du climatiseur.
- il est impérieux de respecter les dispositions des lois et règlements fédéraux, Étatiques et locaux en matière de gaz.
- Il est nécessaire de dégager le réfrigérant dans le système lors de l'entretien ou de la maintenance d'un climatiseur par un professionnel qualifié.



Avertissement :  
inflammable et  
dangereux



Lisez le manuel  
d'utilisation



Lisez le manuel



Lisez le manuel  
d'entretien

## Points importants

- **Le climatiseur que vous achetez doit être installé par un personnel qualifié et le « manuel d'installation » n'est destiné qu'au personnel qualifié pour l'installation!** Les spécifications d'installation doivent être soumises à nos règles de service après-vente .
- Lorsque vous remplissez le réfrigérant inflammable, soyez vigilant(e) pour éviter toute blessure grave.
- Un test de fuite doit être effectué après installation.
- Il est impérieux d'effectuer une inspection de sécurité avant l'entretien ou la réparation d'un climatiseur utilisant un réfrigérant inflammable pour s'assurer que le risque d'incendie est réduit au minimum.
- Les exigences relatives au poids total du réfrigérant rempli et à la superficie d'une pièce à équiper d'un climatiseur (sont indiquées dans les tableaux GG.1 et GG.2 suivants)



## La charge maximale et la surface de plancher minimale requise

$m_1 = (4 \text{ m}^3) \times \text{LFL}$  ,  $m_2 = (26 \text{ m}^3) \times \text{LFL}$  ,  $m_3 = (130 \text{ m}^3) \times \text{LFL}$

Où LFL est la limite inférieure d'inflammabilité en  $\text{kg}/\text{m}^3$  ,R290 LFL est  $0,038 \text{ kg}/\text{m}^3$  ,R32 LFL est  $0,038 \text{ kg}/\text{m}^3$  .

Pour les appareils avec un montant de charge  $m_1 < M = m_2$  :

La charge maximale dans une pièce doit être conforme aux conditions suivantes :  $m_{\text{max}} = 2,5 \times (\text{LFL})^{(5/4)} \times h_0 \times (A)^{1/2}$

La surface de plancher minimale requise  $A_{\text{min}}$  pour installer un appareil avec une charge de réfrigérant  $M$  (kg) doit être conforme à ce qui suit :  $A_{\text{min}} = (M / (2,5 \times (\text{LFL})^{(5/4)} \times h_0))^2$

Où :

$m_{\text{max}}$  est la charge maximale autorisée dans une pièce, en kg;  $M$  est le montant de la charge réfrigérante dans l'appareil, en

kg;  $A_{\text{min}}$  est la zone de la pièce minimum requise, en  $\text{m}^2$ ;  $A$  est la zone de la pièce, en  $\text{m}^2$ ;

LFL est la limite inférieure d'inflammabilité, en  $\text{kg}/\text{m}^3$ ;

$h_0$  est la hauteur d'installation de l'appareil, en mètres pour calculer  $m_{\text{max}}$  ou  $A_{\text{min}}$  , 1,8 m pour un montage mural;

**Tableau GG.1 - Charge maximale (kg)**

Catégorie	LFL (kg/m <sub>3</sub> )	h <sub>0</sub> (m)	Surface de plancher (m <sub>2</sub> )						
			4	7	10	15	20	30	50
R32	0,306	0,6	0,68	0,9	1,08	0,32	1,53	1,87	2,41
		1	1,14	1,51	1,8	2,2	2,54	3,12	4,02
		1,8	2,05	2,71	3,24	3,97	4,58	5,61	7,254
		2,2	2,5	3,31	3,96	4,85	5,6	6,86	8,85

**Table GG.2 - Superficie minimale de la pièce (m<sub>2</sub>)**

Catégorie	LFL (kg/m <sub>3</sub> )	h <sub>0</sub> (m)	Montant de la charge (M) (kg) Superficie minimale de la pièce (m <sub>2</sub> )						
			1,224 kg	1,836 kg	2,448 kg	3,672 kg	4,896 kg	6,12 kg	7,956 kg
R32	0,306	0,6		29	51	116	206	321	543
		1		10	19	42	74	116	196
		1,8		3	6	13	23	36	60
		2,2		2	4	0	15	24	40

## Principes de sécurité l'installation

### 1. Sécurité du site

Flammes vives interdites



Ventilation nécessaire



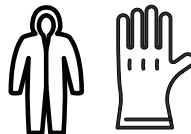
### 2. Sécurité des opérations

Attention à l'électricité statique



Flammes vives interdites

Utilisation interdite du téléphone portable  
gants antistatiques



Port de l'équipement de protection et



### 3. Sécurité de l'installat

- Détecteur de fuites de réfrigérant
- Emplacement d'installation approprié


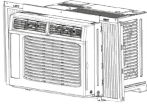

















L'image de gauche est le schéma d'un détecteur de fuites réfrigérant.

### Veillez noter que :

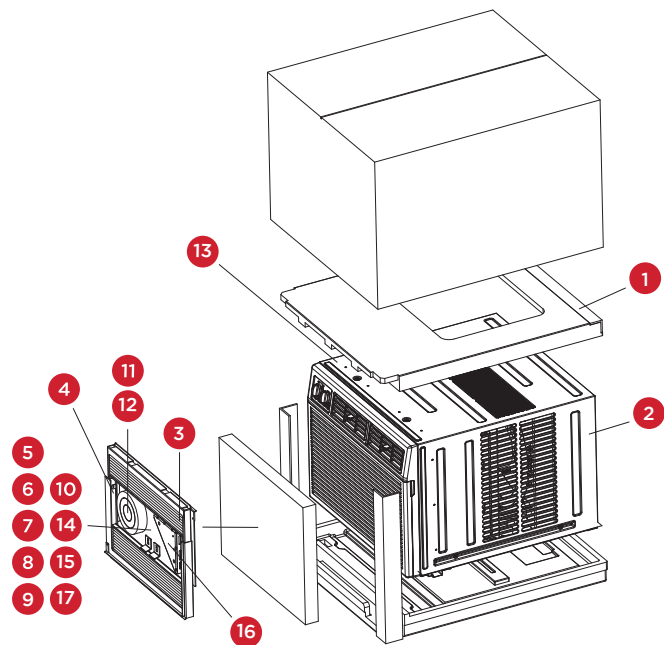
1. Le site d'installation doit être situé dans une zone bien ventilée.
2. Les sites d'installation et d'entretien d'un climatiseur utilisant le réfrigérant R32 doivent être exempts de flammes vives ou de soudure, de fumage, de four de séchage ou de toute autre source de chaleur supérieure à 548°C qui produit facilement des flammes vives.
3. Lors de l'installation d'un climatiseur, il est nécessaire de prendre les mesures antistatiques appropriées telles que porter des vêtements et/ou des gants antistatiques.
4. L'emplacement d'installation ou d'entretien ne doit pas être entouré d'obstacles ou à proximité d'une source de chaleur, d'une zone inflammable et/ou d'objets explosifs.
5. Si le produit subit une fuite de réfrigérant pendant l'installation, tout le personnel doit évacuer jusqu'à ce que le réfrigérant s'écoule complètement pendant 15 minutes. Si le produit est endommagé, un professionnel doit le ramener à la station d'entretien. Il est interdit de souder le tuyau de réfrigérant ou d'effectuer d'autres opérations sur le site contaminé.
6. Le climatiseur doit être posé sur une surface plane
7. Il est nécessaire d'éviter les endroits où il y a d'autres produits électriques, des fiches et des prises d'interrupteur, des armoires de cuisine, un lit, un canapé et d'autres objets de valeur directement sous les lignes des deux côtés de l'unité intérieure.
8. Les ouvertures de ventilation de l'appareil ne doivent pas être obstruées.

## Contenu de l'emballage

NO.	APPARENCE	PIÈCE	QUANTITÉ
1		Rail supérieur	1
2		Climatiseur	1
3		Panneaux de remplissage (Étiqueté "gauche" et "droit")	2
4		Télécommande	1
5		Fermoir de châssis	2
6		Vis six pans 5/16 po	4
7		Vis six pans 5/8 po	3
8		Vis six pans 1/2 po	4
9		Boulon et écrou à tête plate 5/8 po	1
10		Support d'angle	1
11		Joint du cadre de fenêtre	1
12		Joint d'étanchéité supérieur de la fenêtre en mousse (Matériau éponge mince)	1
13		Bande d'isolation (éponge)	2
14		Boulon et écrou à tête plate 1/2 po	4
15		Joint	2
16		Équerre de soutien (Étiqueté "gauche" et "droit")	2
17		Pile (AAA)	2

**Outil nécessaire :** tournevis Phillips

**Conseil** - Avant de déballer l'appareil, coupez le ruban sur le haut de la boîte pour détacher le contenu qui s'y trouve. Une fois que vous aurez soulevé et sorti le contenu de la boîte, vérifiez l'intérieur de cette dernière, car certaines pièces peuvent être coincées dans la partie supérieure. Les vis et autres pièces sont dans le plateau sous le climatiseur.



## Commençons l'installation

### Étape 1 : Test de l'appareil

Avant d'installer votre climatiseur, testez-le pour vérifier qu'il fonctionne correctement et que votre prise fournit une puissance adéquate. Tout d'abord, placez-le sur une surface plane, branchez-le directement sur une prise murale (n'utilisez jamais de multiprise ou d'autre dispositif) et mettez-le sous tension. Puis, mettez l'appareil en mode Refroidissement et amenez la température au réglage le plus bas. Au bout de 3 minutes, le climatiseur devrait souffler de l'air frais. Si c'est le cas, passez à l'étape suivante. Sinon, reportez-vous aux conseils de dépannage sur le site [support.tcl.com/us](http://support.tcl.com/us).

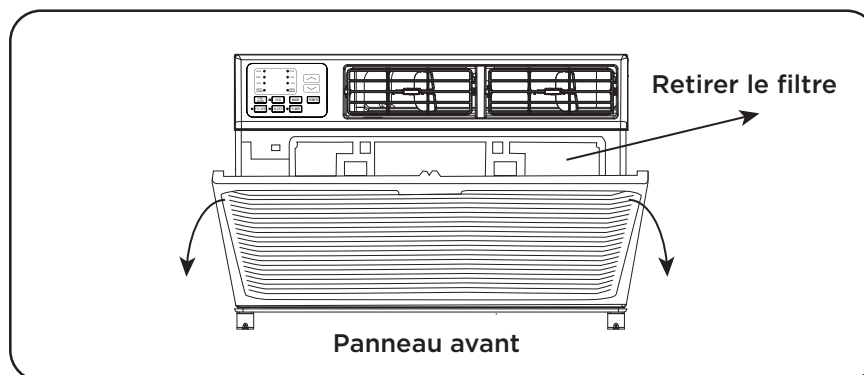
### Étape 2 : Installation

#### Quelques petites remarques avant l'installation :

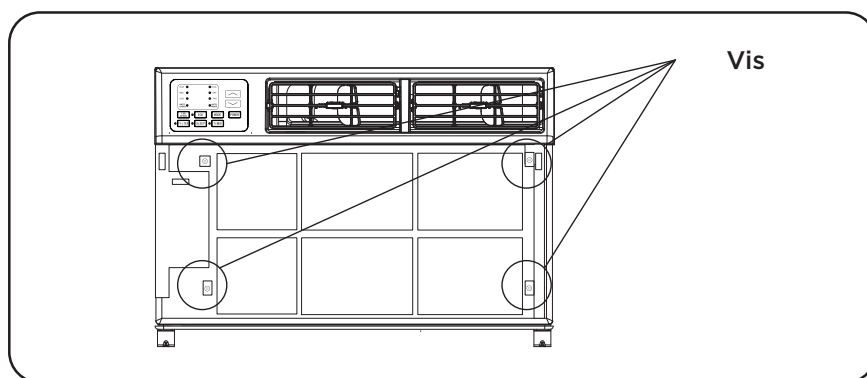
- Cet appareil est conçu pour une fenêtre standard à guillotine double.
- Vérifiez les dimensions de votre fenêtre avant l'installation.

#### INSTALLATION DANS LA FENÊTRE

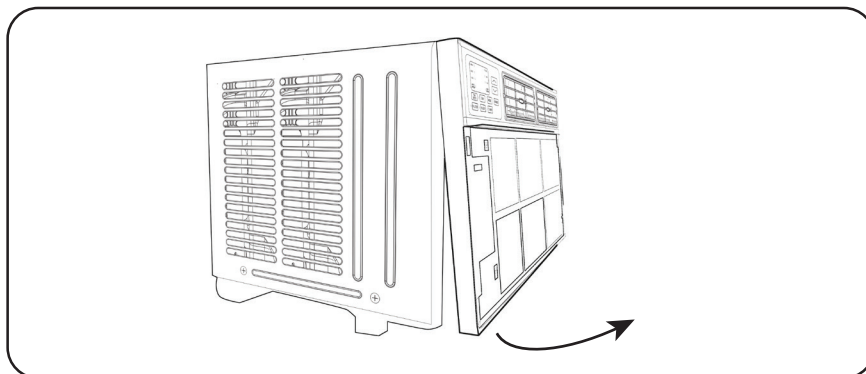
1. Rabattez le panneau avant et retirez le filtre (Fig. 2 ci-dessous)
2. Soulevez le panneau avant pour l'enlever et placez le à côté.



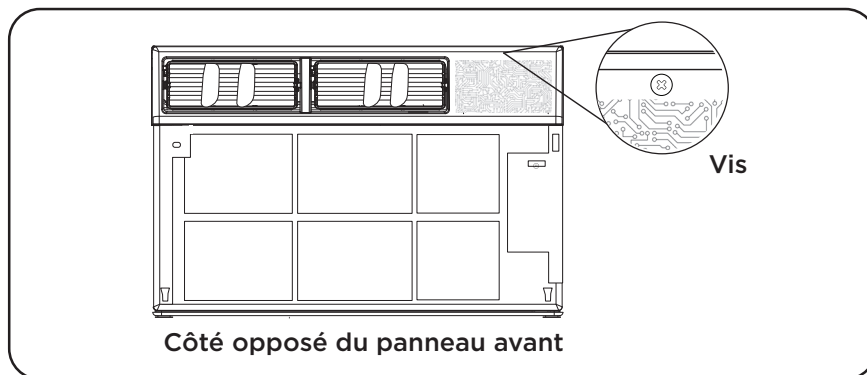
3. Trouvez les quatre vis de la plaque frontale et retirez-les. Ces vis devront être remises en place avant l'installation du climatiseur.



4. Après avoir enlevé les vis, retirez délicatement plaque frontale du cabinet du climatiseur.

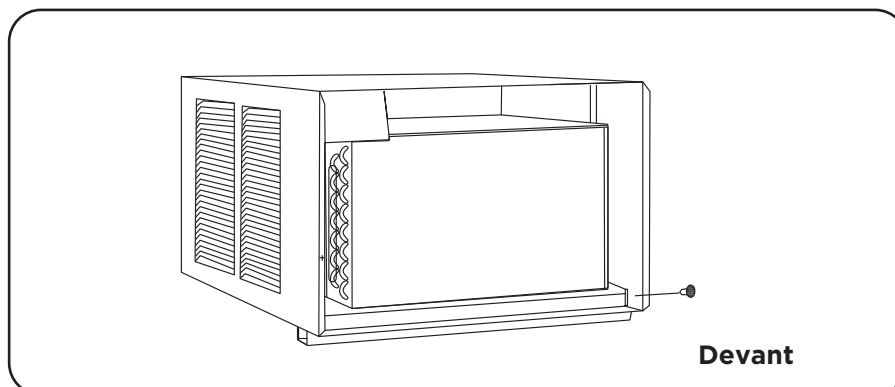


5. Retirez la vis du panneau de contrôle du plateau de montage.

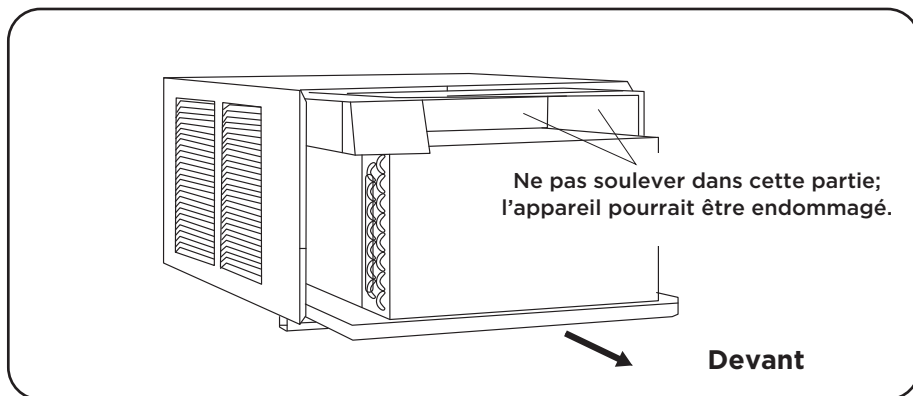


## RETIREZ LE CHÂSSIS

1. Enlevez les six vis du cabinet. (Vous trouverez deux vis sur le dessus, sur le côté droit et sur le côté gauche.)



2. Tenez bien le cabinet tout en tirant sur la base de la poignée pour retirer délicatement l'appareil. Évitez de tirer ou de soulever près du haut du climatiseur.

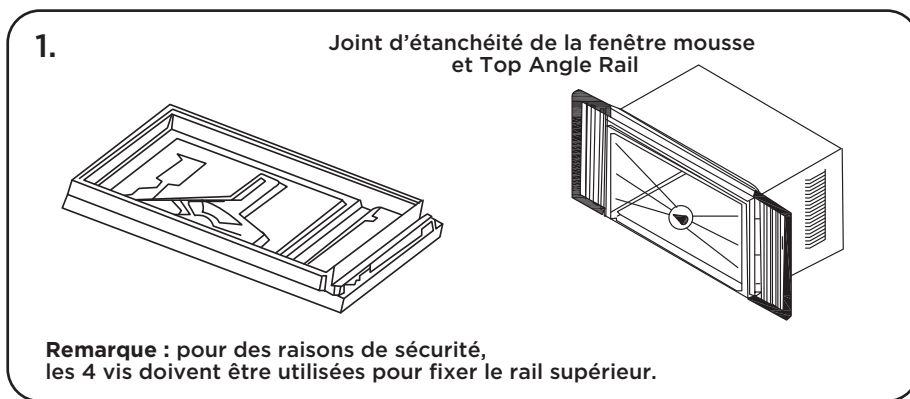


## Assemblage et installation

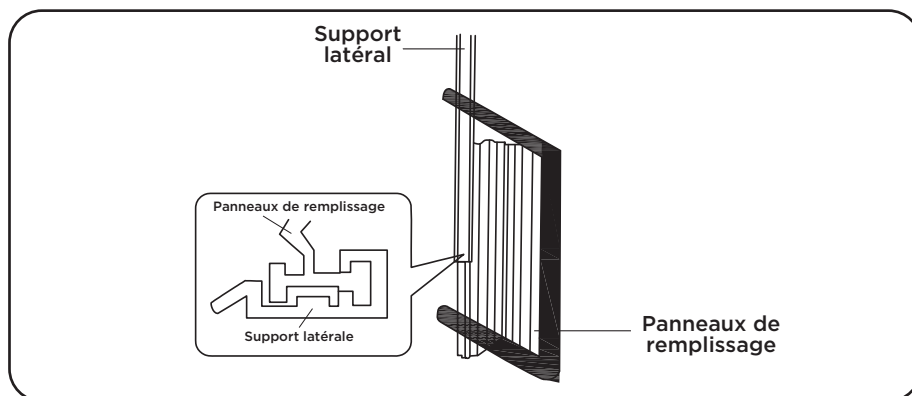
### Étape 3: Installation du rail et du support d'angle supérieur

Le rail supérieur doit être assemblé avant l'installation du climatiseur à la fenêtre.

1. Placez le climatiseur sur une surface plane et dure.
2. Retirez le rail supérieur déposé au fond du matériel d'emballage, tel qu'illustré.
3. Fixez le rail supérieur à l'appareil à l'aide des vis 5/16 po (Fig. 1).

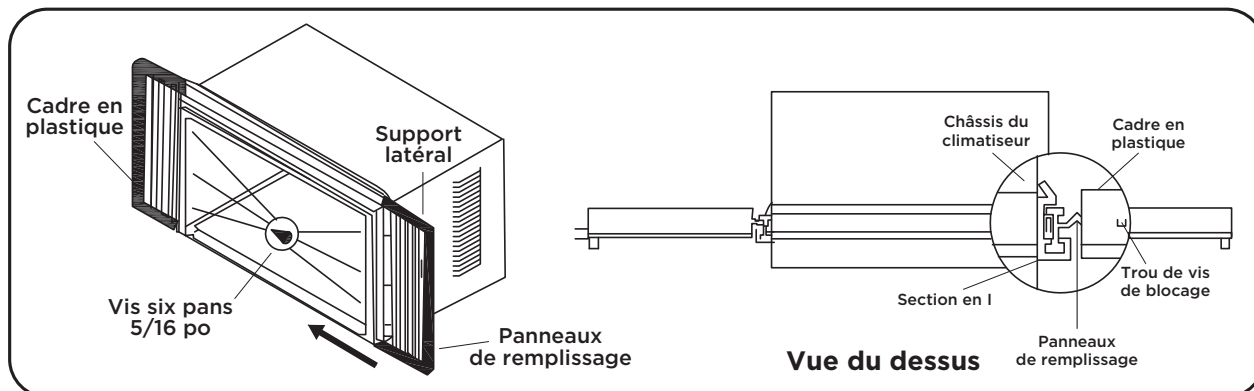


4. Glissez une section en «I» du panneau de fenêtre dans le support latéral du cabinet. Répétez l'opération pour les deux côtés.



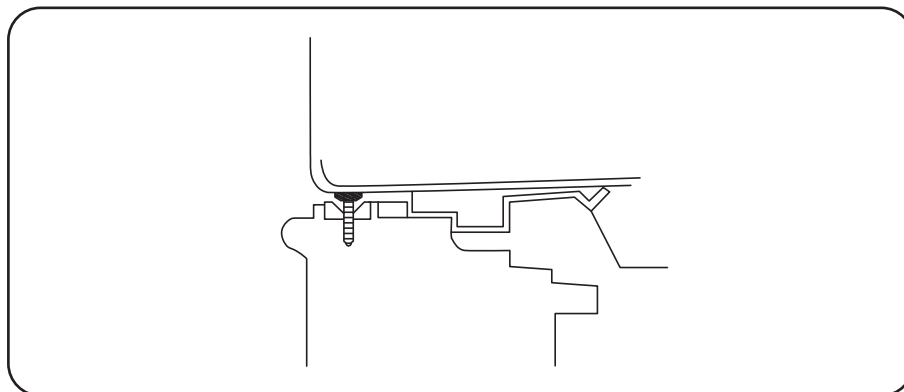


5. Insérez les branches supérieure et inférieure du panneau de remplissage du cadre de fenêtre dans la rainure du support supérieur et du rail inférieur. Répétez l'opération pour les deux côtés. Installez le support latéral au cabinet, tel qu'illustré.

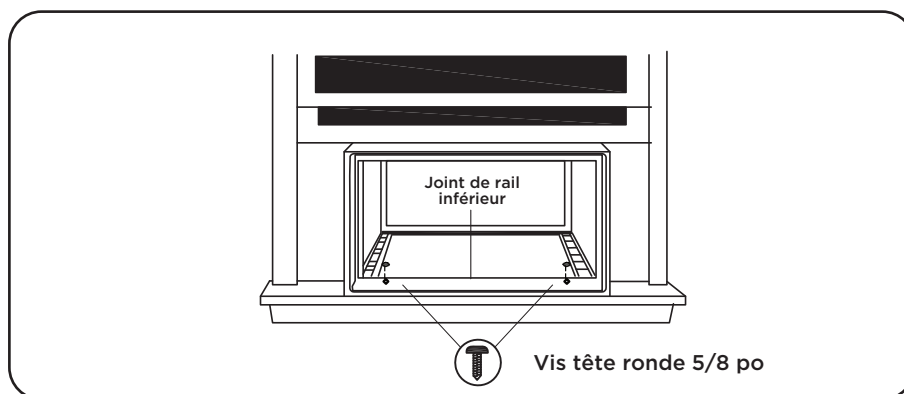


## Étape 4 : Dépôt du cabinet dans la fenêtre

1. Ouvrez la fenêtre et déposez le cabinet au centre du seuil de fenêtre.
2. Assurez-vous que le rail inférieur est bien posé sur le rebord de la fenêtre, tel qu'illustré ci-dessous. Baissez temporairement la fenêtre derrière le rail du support supérieur et maintenez le cabinet en place. (Il est recommandé de conserver un angle descendant de sorte que l'eau de pluie accumulée s'évacue vers l'arrière du climatiseur).

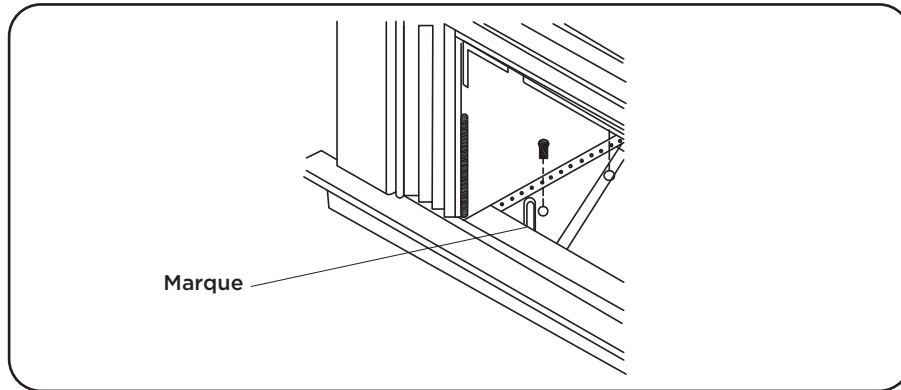


3. Fixez le cabinet au seuil de la fenêtre à l'aide des vis à tête ronde 5/8 po. Au besoin, prépercez les trous. Ajoutez le joint du rail inférieur sur les vis.

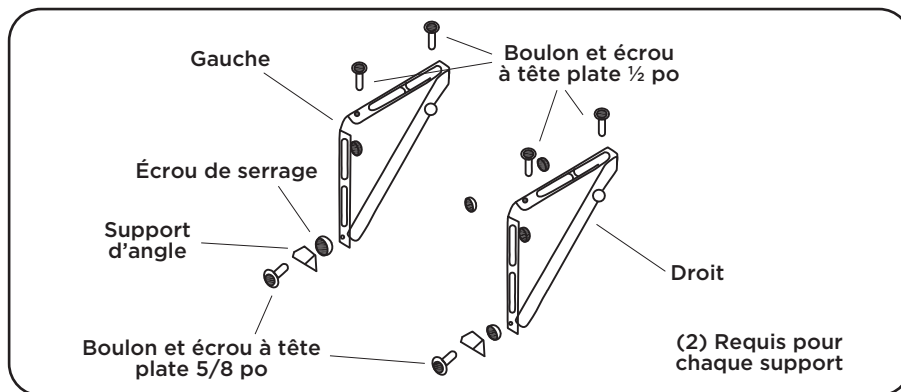


## Étape 5 : Installation des équerres de soutien

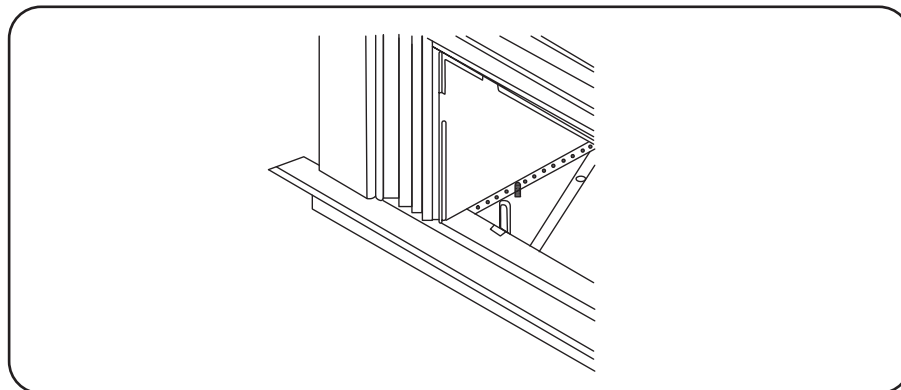
1. Tenez chaque équerre de soutien sur la partie extérieure du seuil de la fenêtre. Vissez chaque équerre au fond du cabinet, tel qu'illustré. Prenez la marque des équerres au haut du seuil de la fenêtre et retirez-les.



2. Attachez les supports d'angles aux équerres de soutien à la position marquée, tel qu'illustré. Serrez bien à la main, mais pas complètement au cas où des changements seraient nécessaires plus tard pendant l'installation.

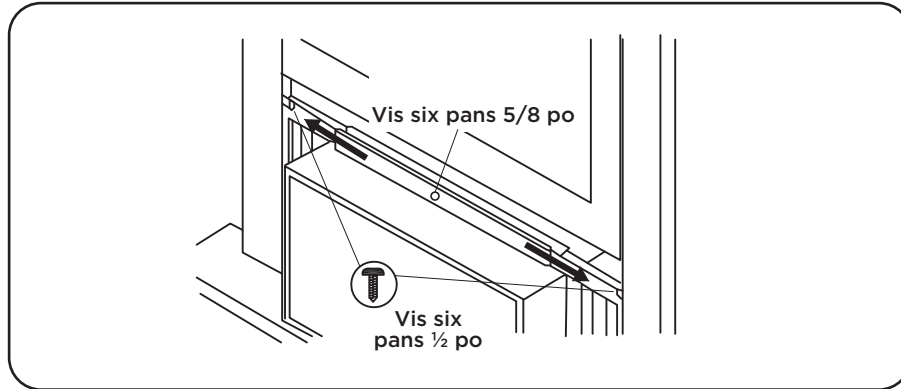


3. Installez les équerres de soutien (auxquelles les supports d'angle sont attachés) au fond du cabinet, tel qu'illustré.
4. Serrez solidement les 6 boulons.



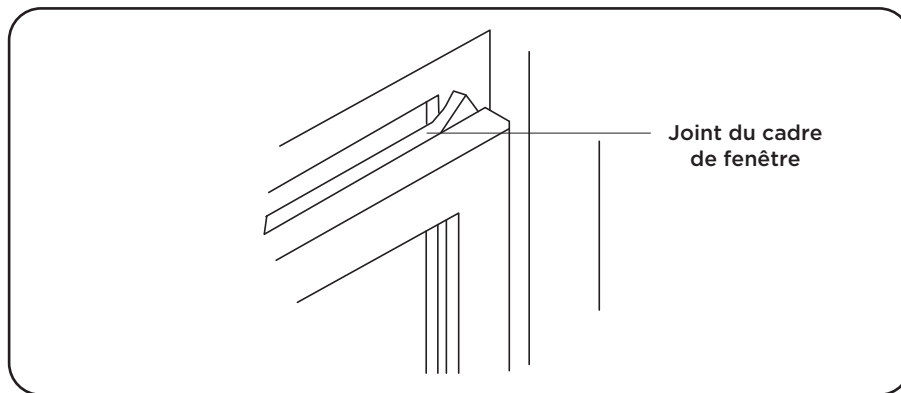
## Étape 6 : Ouverture des panneaux accordéon

1. Soulevez doucement la fenêtre pour exposer le panneau accordéon et le cadre du panneau. Desserrez les vis de verrouillage pour que les panneaux d'accordéon glissent facilement.
2. Étirez chaque panneau pour remplir complètement la largeur de la fenêtre. Serrer les vis de verrouillage lorsque les panneaux sont complètement déployés.

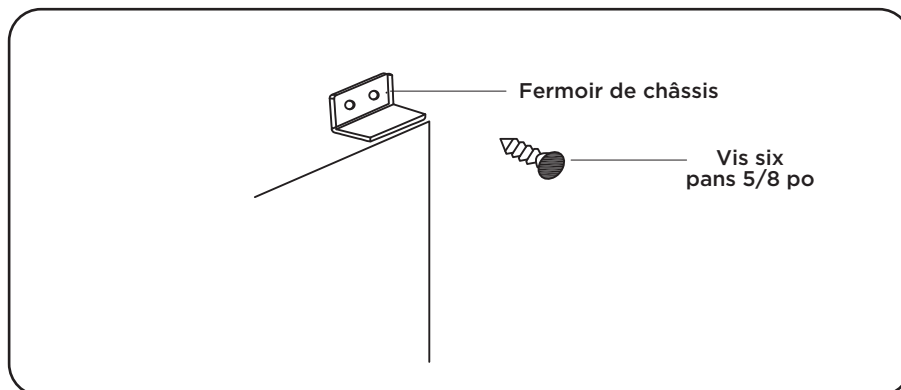


## Étape 7 : Installation du verrou de fenêtre et du joint de cadre

1. Ajustez le joint de cadre en fonction de la largeur de la fenêtre. Insérez le joint de cadre dans l'espace entre les cadres supérieur et inférieur.



2. Fixez la serrure de cadre à angle droit, tel qu'illustré.

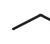




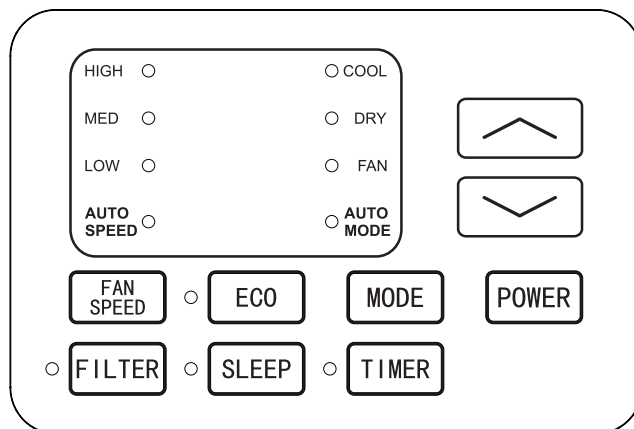
## Étape 8 : Installation du châssis dans le cabinet

1. À deux, soulevez le châssis du climatiseur et glissez-le délicatement dans le cabinet. Laissez le devant de l'appareil dépasser d'environ 6 pouces.
2. Mise en garde : N'appuyez pas sur les contrôles ou les ailettes!
3. Assurez-vous que le châssis est correctement positionné au fond du cabinet.
4. Insérez toutes les vis retirées au cours de l'installation de la fenêtre et rattachiez la plaque avant, le panneau avant et le filtre à air. Pour toute installation murale, veuillez consulter le manuel de l'utilisateur en ligne.

## Comment contrôler votre climatiseur

### Tout ce qu'il faut savoir pour rester au frais !

- **Alimentation - allume et éteint le climatiseur.**
- **Boutons  and ** - utilisez ces boutons du panneau de contrôle ou de la télécommande pour hausser ou abaisser la température désirée ou la période d'utilisation à l'aide de la Minuterie. La plage de température est comprise entre 61° et 88° Fahrenheit, ou 16° et 31° Celsius. Appuyez pendant trois secondes pour quitter le signal de réponse à la demande (DR).
- **Écran** - appuyer sur le bouton Écran de la télécommande peut allumer ou éteindre tous les voyants et l'écran DEL. Lorsque la Minuterie est inactive, le mode de fonctionnement et le réglage de la température seront affichés. L'heure apparaîtra sous le réglage Minuterie. Il affichera  lorsque l'appareil répond à un signal de réponse à la demande (DR).
- **Modes** - appuyez sur le bouton Mode du panneau de contrôle pour faire défiler et sélectionner un mode, ou sélectionnez un mode en appuyant sur le bouton désiré de la télécommande.
  - **Mode Automatique** - appuyez sur le Mode du panneau de contrôle ou sur Mode Auto de la télécommande. Sur mode Auto, l'appareil choisit automatiquement le mode de fonctionnement Frais, Sec ou Ventilation (Cool ou Fan). Dans ce mode, la température de la pièce sera réglée en fonction de la température ambiante (détectée par le capteur de température incorporé dans l'appareil).
  - **Mode Frais** - appuyez sur le bouton Mode du panneau ou sur le bouton Frais de la télécommande. La fonction de refroidissement permet au climatiseur de refroidir la pièce tout en réduisant l'humidité de l'air. Ajustez la vitesse du ventilateur et la température selon le niveau de confort désiré. Dans ce mode, si Eco n'est pas activé, le ventilateur peut continuer à tourner une fois la température désirée atteinte.
  - **Mode Eco** - appuyez sur le bouton mode Eco du panneau ou sur le bouton Eco de la télécommande. En mode Eco, le voyant est allumé et l'appareil s'éteint dès que la pièce atteint la température fixée par l'utilisateur. Le climatiseur se remet en marche lorsque la température ambiante s'élève au-dessus du seuil prédéterminé. En mode ECO, le ventilateur



fonctionnera occasionnellement pendant quelques secondes afin de prendre une lecture précise de la température. (Cool ou Dry)

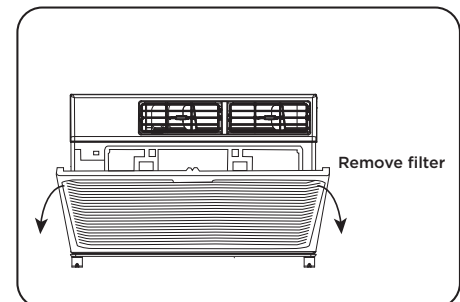
- **Mode Ventilation** - Le mode ventilateur aide à faire circuler l'air dans votre maison, mais ne fonctionne que lorsque le climatiseur est ventilé.
  - **Vitesse du ventilateur** - En mode Frais, vous pouvez choisir la vitesse Élevée, Moyenne, Basse ou Automatique (Hi, Med, Lo or Auto) et, en mode Ventilation, la vitesse Élevée, Moyenne ou Basse.
  - **Mode Sec** - Cette fonction réduit l'humidité ambiante pour rendre la pièce plus confortable. Appuyez sur le bouton Mode pour passer en mode déshumidificateur. Une fonction automatique d'alternance des cycles de refroidissement et du ventilateur d'air est activée.
- 5. Bouton Minuterie** - appuyez sur le bouton Minuterie du panneau ou de la télécommande pour régler la période d'utilisation.
- **Activation de la Minuterie** : lorsque le climatiseur est éteint, appuyez sur le bouton Minuterie, puis, à l'aide des boutons  $\wedge$  et  $\vee$  ), choisissez la température désirée. Appuyez de nouveau sur le bouton Minuterie et, à l'aide des boutons  $\wedge$  et  $\vee$  ), programmez l'heure désirée de la mise en marche du climatiseur. Appuyez encore une fois sur le bouton Minuterie pour lancer le compte à rebours.
  - **Désactivation de la Minuterie** : lorsque le climatiseur est allumé, appuyez sur les boutons  $\wedge$  et  $\vee$  pour déterminer l'heure où l'appareil s'éteindra. Appuyez encore une fois sur le bouton Minuterie pour commencer le compte à rebours.

**Remarque** : La minuterie peut être programmée pour s'éteindre ou s'allumer automatiquement entre 0,5 et 24 heures. Le fait d'appuyer sur les boutons augmentera ou diminuera la minuterie. La Minuterie peut être réglée par tranche de 0,5 heure pour moins de 10 heures et par tranche d'une heure pour 10 heures et plus.

Le voyant Réglage (SET) s'allumera pendant le réglage. Pour annuler la fonction Réglage, appuyez de nouveau sur le bouton Minuterie.

- 6. Bouton Veille** - En mode Veille, toutes les lumières de l'écran s'éteignent après un certain temps, sauf le témoin de veille qui reste allumé. En mode Veille, le climatiseur ajuste automatiquement la température et la vitesse du ventilateur pour que la pièce soit plus confortable durant la nuit.
- 7. Bouton Filtre** - au bout de 500 heures de fonctionnement du moteur du ventilateur, le voyant Vérifier le filtre s'allume pour rappeler à l'utilisateur de nettoyer le filtre. Le nettoyage du filtre terminé, vous pouvez éteindre le voyant en appuyant le bouton Vérifier le filtre.

Retirez le filtre en enlevant la grille d'entrée d'air à l'aide des deux encoches situées en haut à gauche et à droite du couvercle de la grille. Une fois la grille enlevée, vous pouvez alors retirer le filtre. Lavez-le délicatement avec un détergent doux pour vaisselle et laissez-le sécher complètement avant de le réinstaller dans le climatiseur.


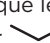


### Sons de fonctionnement normaux

Vous pourriez entendre un cliquetis, causé par l'eau qui heurte le condenseur les journées pluvieuses ou très humides. Cette particularité contribue à extraire l'humidité et à augmenter l'efficacité. Vous pourriez aussi entendre le clic du thermostat lorsque le compresseur se met en marche ou arrête. Les journées pluvieuses ou très humides, l'eau s'accumulera dans le bac de condensation; il se peut aussi qu'elle déborde et s'égoutte à l'extérieur de l'appareil. Le ventilateur peut fonctionner même lorsque le compresseur est arrêté.

## Conseils de dépannage

Vous avez de la difficulté à terminer l'installation? Pas de souci, la solution est habituellement simple.

PROBLÈMES	CAUSES POSSIBLES	SOLUTIONS
<b>Le climatiseur ne démarre pas</b>	Le climatiseur est débranché	<ul style="list-style-type: none"> <li>• Vérifiez si la fiche du climatiseur est bien enfoncée dans la prise de courant.</li> </ul>
	Le fusible a sauté ou le disjoncteur est désactivé	<ul style="list-style-type: none"> <li>• Vérifiez la boîte à fusibles ou le panneau du disjoncteur de la maison; remplacez le fusible ou réarmez le disjoncteur.</li> </ul>
	Il y a une panne d'électricité	<ul style="list-style-type: none"> <li>• L'appareil redémarrera automatiquement quand l'électricité sera rétablie.</li> <li>• Une temporisation de protection d'environ 3 minutes évite la surcharge du compresseur. Pour cette raison, il se peut que, pendant les 3 minutes suivant sa remise sous tension, l'appareil ne démarre pas le refroidissement normal.</li> </ul>
	L'interrupteur de courant est déclenché	<ul style="list-style-type: none"> <li>• Appuyez sur le bouton Réinitialisation (RESET) situé sur le cordon d'alimentation.</li> <li>• Si le bouton Réinitialisation ne reste pas enclenché, cessez d'utiliser le climatiseur et contactez un technicien qualifié.</li> </ul>
<b>Le climatiseur ne rafraîchit pas comme il devrait</b>	La circulation d'air est limitée	<ul style="list-style-type: none"> <li>• Assurez-vous que rien n'entrave la circulation d'air devant le climatiseur - rideaux, stores ou meuble.</li> </ul>
	Le contrôle de la température n'est peut-être pas réglé correctement	<ul style="list-style-type: none"> <li>• Abaissez la température du thermostat.</li> </ul>
	Le filtre à air est sale	<ul style="list-style-type: none"> <li>• Nettoyez le filtre. Voir la section « Nettoyage et entretien » du manuel.</li> </ul>
	La pièce est peut-être trop chaude	<ul style="list-style-type: none"> <li>• Après la mise en marche du climatiseur, quelques minutes seront nécessaires avant que la pièce refroidisse.</li> </ul>
	Il y a fuite de l'air froid	<ul style="list-style-type: none"> <li>• Vérifiez les bouches d'air chaud et les retours d'air froid.</li> </ul>
	Les serpentins refroidisseurs sont gelés	<ul style="list-style-type: none"> <li>• Voir plus bas la section « Le climatiseur gèle ».</li> </ul>
<b>Le climatiseur gèle</b>	La circulation d'air est bloquée par de la glace, ce qui empêche le climatiseur de refroidir la pièce	<ul style="list-style-type: none"> <li>• Réglez le mode sur la ventilation la plus rapide ou sur le Refroidissement rapide (High Cool) avec une température plus élevée au thermostat.</li> </ul>
<b>La télécommande ne fonctionne pas</b>	Les piles ne sont pas correctement mises en place	<ul style="list-style-type: none"> <li>• Vérifiez la position des piles.</li> </ul>
	Les piles sont peut-être à plat	<ul style="list-style-type: none"> <li>• Remplacez les piles.</li> </ul>
<b>De l'eau s'égoutte à l'extérieur</b>	Temps chaud et humide	<ul style="list-style-type: none"> <li>• C'est normal.</li> </ul>
<b>De l'eau s'égoutte dans la pièce</b>	L'inclinaison du climatiseur vers l'extérieur n'est pas suffisante	<ul style="list-style-type: none"> <li>• Pour que l'eau s'écoule bien, assurez-vous que l'arrière du climatiseur est légèrement plus bas que l'avant.</li> </ul>
<b>L'eau s'accumule dans le bac de condensation</b>	L'humidité extraite de l'air s'égoutte dans le bac de condensation.	<ul style="list-style-type: none"> <li>• C'est normal dans les zones à faible humidité pendant une courte période et, dans les zones très humides, pour une période plus longue.</li> </ul>
<b>L'Écran digital indique « E1 », « E2 »</b>	Un détecteur est défectueux	<ul style="list-style-type: none"> <li>• Contactez le service à la clientèle.</li> </ul>
<b>Le buzzer répond anormalement</b>	Les systèmes de gestion de l'énergie contrôlent les appareils via des réseaux	<ul style="list-style-type: none"> <li>• Déconnecter l'appareil du réseau</li> </ul>
<b>Lorsque  apparaît sur l'affichage, la télécommande, L'APP et les boutons du panneau ne peuvent pas contrôler l'appareil</b>	Lorsque l'appareil répond au signal de réponse à la demande (DR) du système de gestion de l'énergie, l'utilisateur ne peut contrôler que le démarrage et l'éclairage de l'appareil, la température de réglage peut augmenter et le compresseur peut s'arrêter de fonctionner.	<ul style="list-style-type: none"> <li>• Attendez que le temps de réponse se ferme ou appuyez sur  pendant trois secondes pour quitter réponse à la demande (DR).</li> </ul>



## Installation de l'application WiFi (pour modèles WiFi seulement)

### Étape 1 : Téléchargement et installation de l'application TCL Home

En utilisant la fonction caméra de votre téléphone intelligent, veuillez numériser le code QR ci-dessous pour être dirigé vers la page d'accueil de TCL. Si votre téléphone n'est pas équipé d'un numériseur QR, téléchargez-en un depuis la boutique d'applications ou tapez manuellement le lien URL ci-dessous dans le navigateur Web de votre téléphone. Ensuite, téléchargez et lancez l'application.



<https://tcl.link/homeplusapp>

**Remarque :** l'application ne prend en charge que la bande WiFi 2,4 GHz disponible sur tous les routeurs. **Veillez vous connecter à la bande 2,4 GHz avant de commencer le processus d'installation de l'application.**

### Étape 2 : Créer un compte

Après avoir ouvert l'application, sélectionnez « Créer un compte ». Un code de vérification vous sera alors envoyé à votre adresse électronique. Saisissez le code et continuez.

United States

TCL HOME

Email

Password

Forgot password?

Login

Quick login Create account

By creating or logging in to an account, you have agreed to our [Terms and Conditions](#) and [Privacy Notice](#)

< United States

Create account

Name

Email

Next

I've read and agree to TCL's [Terms and Conditions](#)

< United States

Create account

Sent code to TCLHomePlus@gmail.com

Verification code

New password

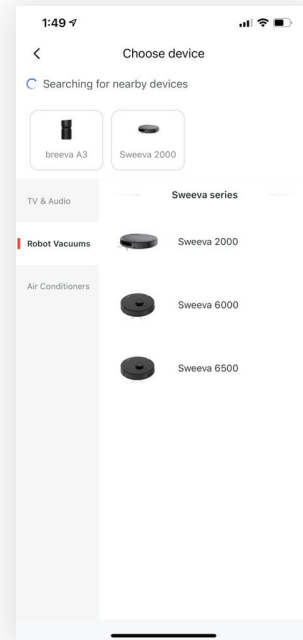
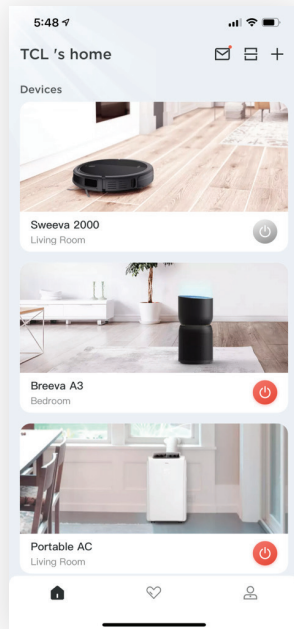
Confirm password

Verification code is valid for 15 minutes.

Confirm

## Étape 3: Ajoutez votre appareil

Sélectionnez le bouton «Ajouter un appareils» et suivez les instructions de l'application pour terminer la configuration.





## Conseils de dépannage

Avez-vous de la difficulté à terminer l'installation? Ne vous inquiétez pas, il y a généralement une solution facile.

PROBLÈME	CAUSES POSSIBLES	SOLUTIONS
<b>L'application TCL Home perd la connexion avec le climatiseur pendant la configuration</b>	Le routeur sans fil est peut-être trop loin du climatiseur	<ul style="list-style-type: none"><li>• Approchez le routeur sans fil du climatiseur.</li></ul>
	Erreur réseau	<ul style="list-style-type: none"><li>• Redémarrez le routeur sans fil, le climatiseur et l'appareil mobile.</li></ul>
<b>L'application TCL Home ne peut trouver le climatiseur</b>	Erreur réseau	<ul style="list-style-type: none"><li>• Redémarrez le routeur sans fil, le climatiseur et l'appareil mobile.</li></ul>
	L'application et le climatiseur ne sont pas sur la même fréquence 2,4 GHz	<ul style="list-style-type: none"><li>• Confirmez la connexion de votre appareil à la fréquence 2,4 GHz.</li></ul>
	Le routeur bloque l'application TCL Home	<ul style="list-style-type: none"><li>• Vérifiez si l'application est bloquée par le coupe-feu du routeur.</li></ul>
	Mot de passe WiFi erroné.	Entrez et vérifiez de nouveau le mot de passe WiFi.
<b>Incapacité de trouver ou de se connecter au Réseau sans fil</b>	L'application peut avoir besoin d'une autorisation de localisation	<ul style="list-style-type: none"><li>• Donnez à TCL Home l'autorisation de localisation dans les réglages du téléphone.</li></ul>

## TCL Amérique du Nord

### GARANTIE LIMITÉE DU PRODUIT

**Ce que couvre votre garantie :** les défauts de matériaux ou de fabrication pour le **propriétaire initial** de ce produit TCL lorsqu'il est acheté comme neuf auprès d'un revendeur autorisé de produits de marque TCL et emballé avec cette déclaration de garantie.

PÉRIODE DE GARANTIE (UTILISATION NON COMMERCIALE) :	PÉRIODE DE GARANTIE (UTILISATION COMMERCIALE) :
Main-d'œuvre : douze (12) mois à compter de la date d'achat initiale. Pièces : douze (12) mois à compter de la date d'achat initiale.	Main-d'œuvre : six (6) mois à compter de la date d'achat initiale. Pièces : six (6) mois à compter de la date d'achat initiale.

L'utilisation commerciale comprend, sans s'y limiter, l'utilisation de ce produit dans un environnement commercial ou professionnel, l'utilisation de ce produit dans une institution ou à des fins institutionnelles, ou à d'autres fins commerciales, y compris à des fins de location.

Si votre appareil TCL présente un défaut de matériau ou de fabrication dans des conditions normales d'utilisation pendant la période de garantie indiquée ci-dessus, à compter de la date d'achat initiale du produit par le consommateur, TCL North America, à sa seule discrétion, (1) paiera à un centre de service TCL autorisé les frais de main-d'œuvre et les pièces pour réparer votre appareil, ou (2) remplacera votre appareil par un produit équivalent neuf ou remis à neuf/réparé. Si la réparation est effectuée dans un centre de service TCL autorisé, TCL n'est pas responsable des frais de transport vers le centre de service TCL autorisé. Toutefois, TCL paiera les frais de retour. TCL fournira des instructions pour l'emballage et l'expédition de l'appareil. Les appareils mal emballés et endommagés pendant l'expédition ne sont pas couvertes par cette garantie limitée du produit. Cette garantie limitée est valable uniquement pour l'acheteur initial du produit et n'est valide que lorsqu'elle est utilisée en Amérique du Nord. Vous devez avoir l'original de votre reçu d'achat ou une preuve d'achat (facture ou facture acquittée) qui indique l'état de l'appareil (neuf, d'occasion, etc.), la date d'achat de l'appareil, le lieu d'achat et le numéro de modèle/série.

**COMMENT SE PASSE LE SERVICE :** Composez le 1-800-825-6747 et choisissez l'invite appropriée. Veuillez préparer le type de produit, le numéro de modèle, le numéro de série et le code postal. Le dépannage et l'approbation préalable d'un représentant TCL DOIVENT avoir lieu avant d'envoyer votre produit pour réparation.

#### Informations sur l'enregistrement du produit

Vous trouverez le numéro de modèle et le numéro de série sur une étiquette au dos ou sur le côté du produit. **Enregistrez votre produit en ligne sur [register.tcl.com](http://register.tcl.com).**

AUCUNE AUTRE GARANTIE N'EST APPLICABLE À CE PRODUIT. LA PRÉSENTE GARANTIE REMPLACE TOUTE AUTRE GARANTIE, EXPRESSE OU IMPLICITE, Y COMPRIS, MAIS SANS S'Y LIMITER, TOUTE GARANTIE DE QUALITÉ MARCHANDE OU D'ADÉQUATION À UN USAGE PARTICULIER. DANS LA MESURE OÙ TOUTE GARANTIE IMPLICITE EST REQUISE PAR LA LOI, ELLE EST LIMITÉE DANS LE TEMPS À LA PÉRIODE DE GARANTIE EXPRESSE CI-DESSUS. NI LE FABRICANT NI SON DISTRIBUTEUR AMÉRICAIN NE SONT RESPONSABLES DES DOMMAGES ACCESSOIRES, INDIRECTS, SPÉCIAUX OU PUNITIFS DE QUELQUE NATURE QUE CE SOIT, Y COMPRIS, SANS LIMITATION, LES PERTES DE REVENUS OU DE PROFITS, OU TOUT AUTRE DOMMAGE, QU'IL SOIT FONDÉ SUR UN CONTRAT, UN DÉLIT OU AUTRE. CERTAINS TERRITOIRES N'AUTORISENT PAS L'EXCLUSION OU LA LIMITATION DES DOMMAGES ACCESSOIRES OU INDIRECTS OU LA LIMITATION DE LA DURÉE D'UNE GARANTIE IMPLICITE, DE SORTE QUE L'EXCLUSION OU LA LIMITATION CI-DESSUS PEUT NE PAS S'APPLIQUER À VOUS. CETTE GARANTIE LIMITÉE VOUS CONFÈRE, À VOUS, L'ACHETEUR INITIAL, DES GARANTIES JURIDIQUES SPÉCIFIQUES ET VOUS POUVEZ ÉGALEMENT DISPOSER D'AUTRES DROITS QUI VARIENT D'UN ÉTAT À L'AUTRE OU D'UN TERRITOIRE À L'AUTRE. CETTE GARANTIE EST SUJETTE À MODIFICATION SANS PRÉAVIS. VEUILLEZ VISITER [WWW.TCL.COM/US](http://WWW.TCL.COM/US) POUR AFFICHER LA VERSION LA PLUS RÉCENTE.

#### CETTE GARANTIE LIMITÉE DU PRODUIT NE S'APPLIQUE PAS :

1. Aux demandes de service à votre domicile pour la livraison ou le ramassage, l'installation, les instructions, le remplacement des fusibles de la maison, le raccordement du câblage de la maison ou de la plomberie, ou pour effectuer des réparations non autorisées.
2. Aux défaillances du produit dus à des problèmes de réception du signal sans fil qui ne sont pas causés par votre appareil, ou à des pannes ou des coupures de courant ou d'un service électrique inadéquat.
3. Aux dommages causés durant le transport ou suite à la manipulation, y compris les dommages pendant l'expédition en provenance d'un détaillant (veuillez communiquer avec votre détaillant pour obtenir de l'aide).
4. Aux dommages causés au produit par un accident, des animaux indésirables, la foudre, les vents, les incendies, les inondations ou les catastrophes naturelles.
5. Aux dommages causés par l'utilisation du produit dans une atmosphère corrosive ou humide.
6. Aux réparations lorsque votre produit TCL est utilisé autrement que dans le cadre d'une utilisation normale dans une maison individuelle, ou contrairement aux instructions décrites dans le guide de l'utilisateur du produit.
7. Aux dommages dus à un accident, à une modification, à un mauvais usage, à une utilisation inadaptée, à une négligence, à des insectes, à une usure normale, à des dommages esthétiques, à une mauvaise manipulation, à des surtensions sur les lignes électriques, à une installation incorrecte ou défectueuse, ou à une réparation ou un entretien inadéquats. Une réparation inappropriée comprend l'utilisation de pièces non approuvées ou spécifiées par TCL.
8. Marques ou images sur le panneau d'affichage du produit.
9. À un entretien normal tel que décrit dans le guide de l'utilisateur (y compris, mais sans s'y limiter, le nettoyage ou le remplacement de filtres, de bobines, nettoyage ou d'autres opérations d'entretien normales).
10. À l'utilisation d'accessoires ou de composants qui ne sont pas compatibles avec ce produit.
11. Aux produits dont les numéros de série sont modifiés, manquants, défectueux, illisibles ou supprimés.
12. Aux changements dans l'apparence du produit qui n'affectent pas les performances du produit.
13. Aux augmentations des coûts des services publics et des dépenses supplémentaires liées aux services publics.
14. Aux produits achetés auprès de revendeurs TCL non autorisés.
15. Aux produits vendus dans un état autre que neuf du fabricant d'origine ou vendus en dehors de l'Amérique du Nord.

Les frais de réparation ou de remplacement dans ces circonstances exclues seront à la charge du consommateur.

#### COORDONNÉES :

TCL Amérique du Nord  
1860 Compton ave  
Corona, Californie 92881  
1-800-825-6747  
[www.tcl.com/us](http://www.tcl.com/us)

# TCL



**Need more help? / ¿Necesitas más ayuda? / Besoin d'aide ?**

[support.tcl.com](http://support.tcl.com)

1-800-825-6747